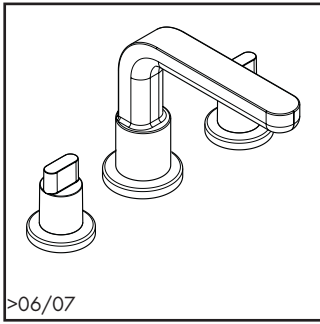


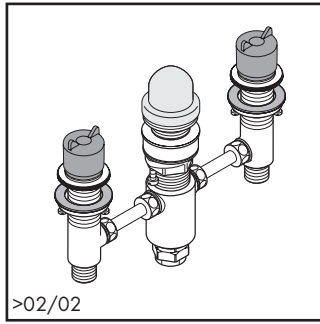
Metris® S

3-Hole roman tub trim / Mélangeur 3 trous sur carrelage / Batería 3 agujeros para repisa



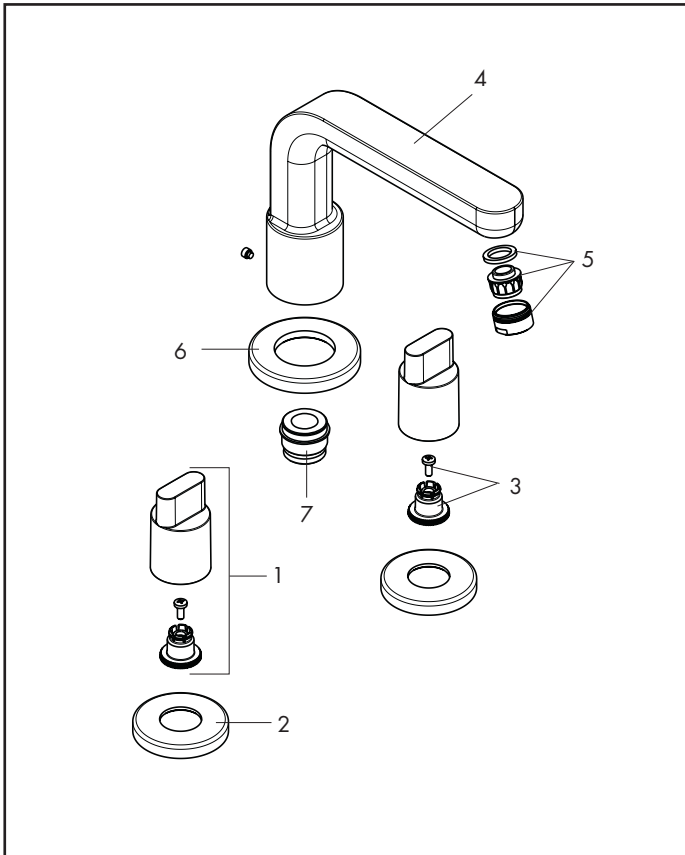
>06/07

31436xx1



>02/02

06607000

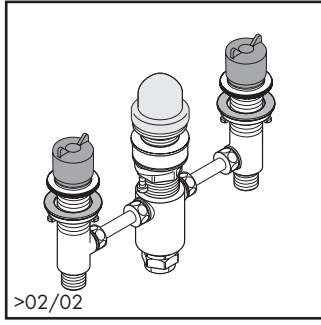
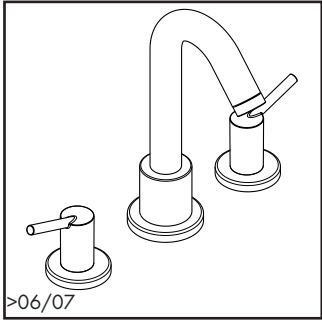


| Pos. | Description | Description | Denominación | No./Nr./N° | PG |
|------|--------------------|---------------------------|--------------------------|------------|-------|
| 1 | hot handle | poignée eau chaude | manija agua caliente | 31097xx0 | 1 10* |
| | cold handle | poignée eau froide | manija agua fría | 31096xx0 | 1 9* |
| 2 | handle escutcheon | rosace pour poignée | embellecedor manija | 31098xx0 | 1 99 |
| 3 | handle fixing set | entraîneur + vis | anclaje para manija | 94184000 | 1 2 |
| 4 | spout | bec | surtidor | 31095xx0 | 1 99 |
| 5 | aerator | aérateur | aireador | 13956xx0 | 1 3* |
| 6 | escutcheon | rosace | florón | 97779xx0 | 1 13* |
| 7 | sealing ring | joint | junta | 88512000 | 1 8 |
| | rough, see p. 8.68 | set de base, voir p. 8.68 | cuerpo base, ver p. 8.68 | 06607000 | |
| | | | | | |
| | | | | | |
| | | | | | |
| | | | | | |
| | | | | | |
| | | | | | |
| | | | | | |
| | | | | | |
| | | | | | |
| | | | | | |
| | | | | | |
| | | | | | |
| | | | | | |
| | | | | | |
| | | | | | |
| | | | | | |
| | | | | | |
| | | | | | |

xx = Please see page 8.1 for finish codes / *PG is for Chrome only. See the index for other finishes.
 xx = Description des codes couleur page 8.1 / *PG concerne Chromé seulement. Pour les autres, voir dans la liste des références.
 xx = Para el código de acabados ver p. 8.1 / *La PG vale para Cromado solo. Ver el índice para las otras superficies.

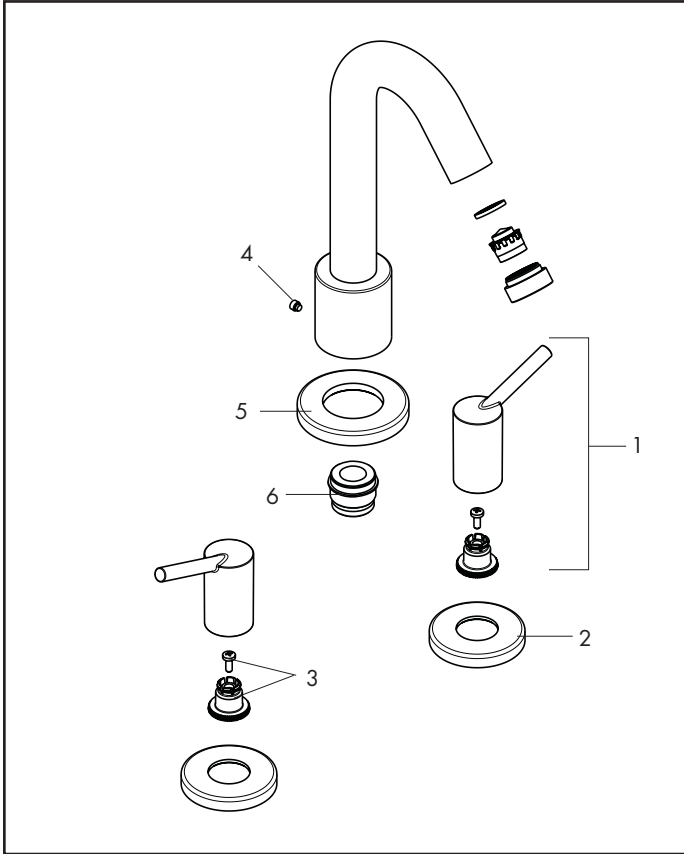
Talis® S

3-Hole roman tub trim / Mélangeur 3 trous sur carrelage / Bateria 3 agujeros para repisa



32313xx1

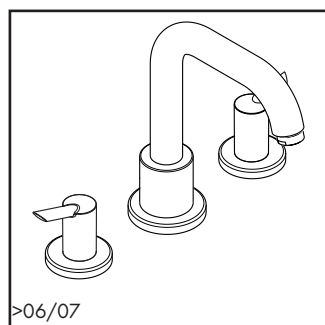
06607000



| Pos. | Description | Description | Denominación | No./Nr./N° | PG |
|------|--------------------|---------------------------|--------------------------|------------|-------|
| 1 | hot handle | poignée eau chaude | manija agua caliente | | 99 |
| | cold handle | poignée eau froide | manija agua fría | | 99 |
| 2 | handle escutcheon | rosace pour poignée | embellecedor manija | 31098xx0 | 1 9 |
| 3 | handle fixing set | entraîneur + vis | anclaje para manija | 94184000 | 1 2 |
| 4 | screw | vis | tornillo | 97660000 | 1 1 |
| 5 | escutcheon | rosace | florón | 97779xx0 | 1 13* |
| 6 | sealing ring | joint | junta | 88512000 | 1 8 |
| | rough, see p. 8.68 | set de base, voir p. 8.68 | cuerpo base, ver p. 8.68 | 06607000 | |
| | | | | | |
| | | | | | |
| | | | | | |
| | | | | | |
| | | | | | |
| | | | | | |
| | | | | | |
| | | | | | |
| | | | | | |
| | | | | | |
| | | | | | |
| | | | | | |
| | | | | | |
| | | | | | |

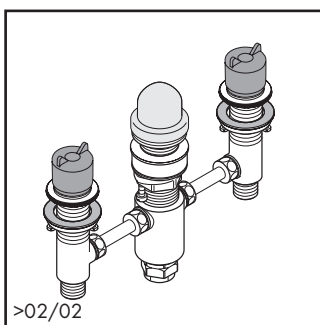
Focus® S

3-Hole roman tub trim / Mélangeur 3 trous sur carrelage / Batería 3 agujeros para repisa



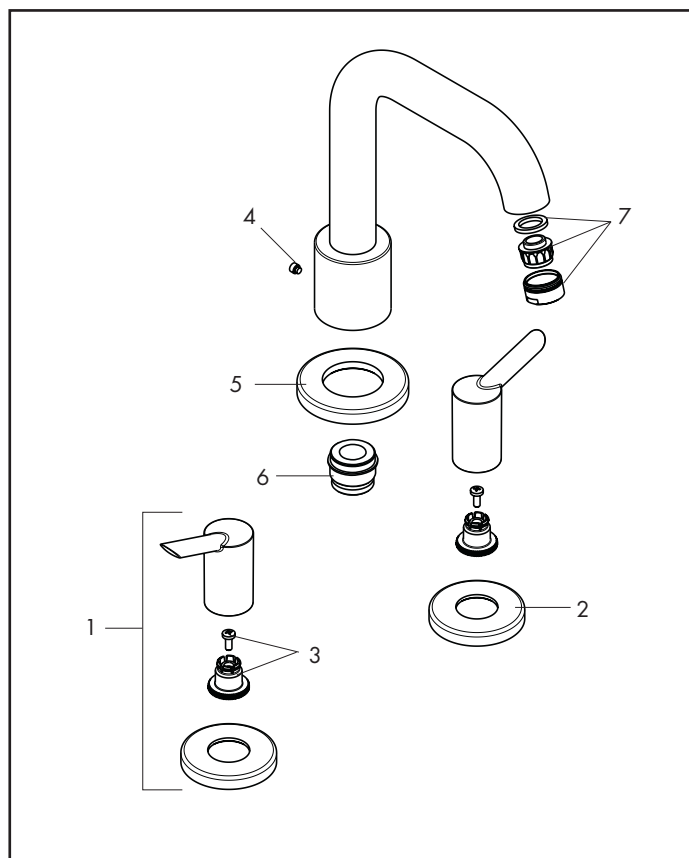
>06/07

31732001



>02/02

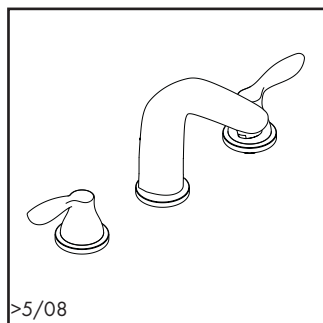
06607000



| Pos. | Description | Description | Denominación | No./Nr./N° | PG |
|------|--------------------|---------------------------|--------------------------|------------|-------|
| 1 | hot handle | poignée eau chaude | manija agua caliente | | 99 |
| | cold handle | poignée eau froide | manija agua fría | | 99 |
| 2 | handle escutcheon | rosace pour poignée | embellecedor manija | 31098xx0 | 1 99 |
| 3 | handle fixing set | entraîneur + vis | anclaje para manija | 94184000 | 1 2 |
| 4 | screw | vis | tornillo | 97660000 | 1 1 |
| 5 | escutcheon | rosace | florón | 97779xx0 | 1 13* |
| 6 | sealing ring | joint | junta | 88512000 | 1 8 |
| 7 | aerator | aérateur | aireador | 13956xx0 | 1 3* |
| | rough, see p. 8.68 | set de base, voir p. 8.68 | cuerpo base, ver p. 8.68 | 06607000 | |
| | | | | | |
| | | | | | |
| | | | | | |
| | | | | | |
| | | | | | |
| | | | | | |
| | | | | | |
| | | | | | |
| | | | | | |
| | | | | | |
| | | | | | |
| | | | | | |

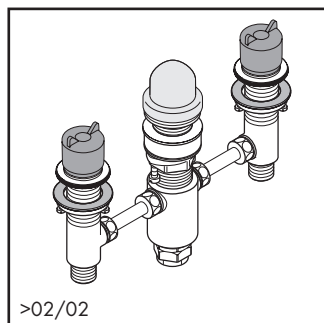
Solaris® E

3-Hole roman tub trim / Mélangeur 3 trous sur carrelage / Batería 3 agujeros para repisa



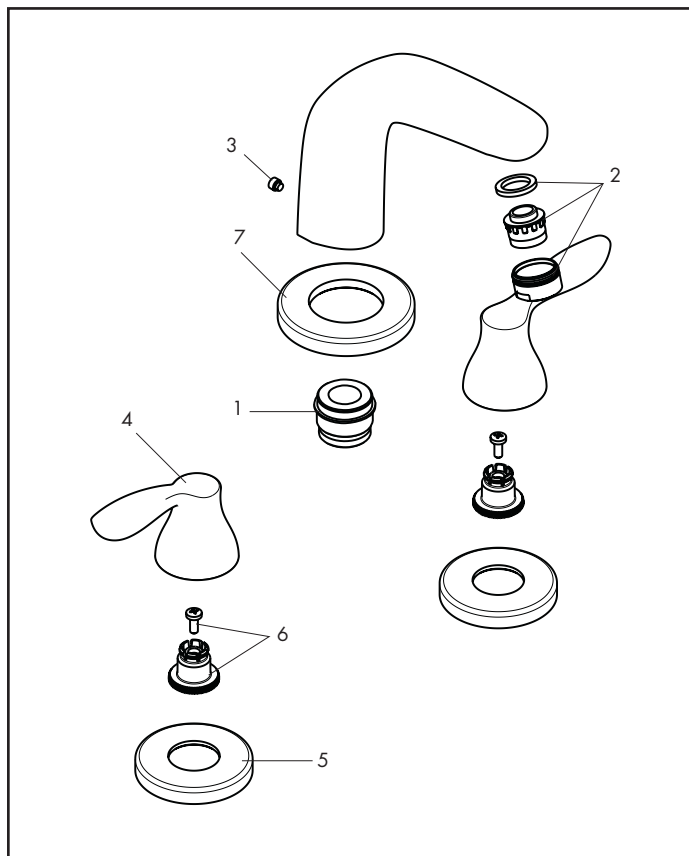
>5/08

04170xx0



>02/02

06607000



| Pos. | Description | Description | Denominación | No./Nr./N° | PG |
|------|--------------------|---------------------------|--------------------------|------------|-------|
| 1 | spout adapter | adapteur pour bec | adaptador surtidor | 88512000 | 1 8 |
| 2 | aerator | aérateur | aireador | 13914xx0 | 1 4* |
| 3 | set screw | vis | tornillo manecilla | 97660000 | 1 1 |
| 4 | Solaris® E handle | poignée Solaris® E | manija Solaris® E | | 1 99 |
| 5 | handle escutcheon | rosace pour poignée | florón para manija | 31098xx0 | 1 99 |
| 6 | snap connector | entraîneur + vis | anclaje para manija | 94184000 | 1 2 |
| 7 | spout escutcheon | rosace pour bec | florón para manija | 97779xx0 | 1 13* |
| | rough, see p. 8.68 | set de base, voir p. 8.68 | cuerpo base, ver p. 8.68 | 06607000 | |
| | | | | | |
| | | | | | |
| | | | | | |
| | | | | | |
| | | | | | |
| | | | | | |
| | | | | | |
| | | | | | |
| | | | | | |
| | | | | | |
| | | | | | |
| | | | | | |

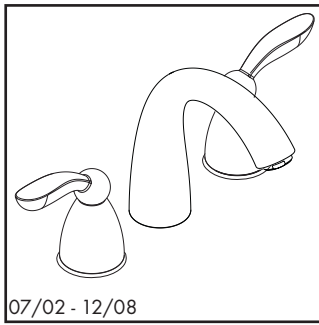
8.52
9/2010

xx = Please see page 8.1 for finish codes / *PG is for Chrome only. See the index for other finishes.
xx = Description des codes couleur page 8.1 / *PG concerne Chromé seulement. Pour les autres, voir dans la liste des références.
xx = Para el código de acabados ver p. 8.1 / *La PG vale para Cromado solo. Ver el índice para las otras superficies.

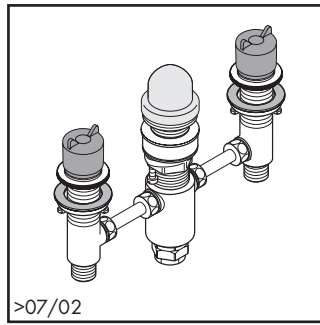
hansgrohe

Solaris®

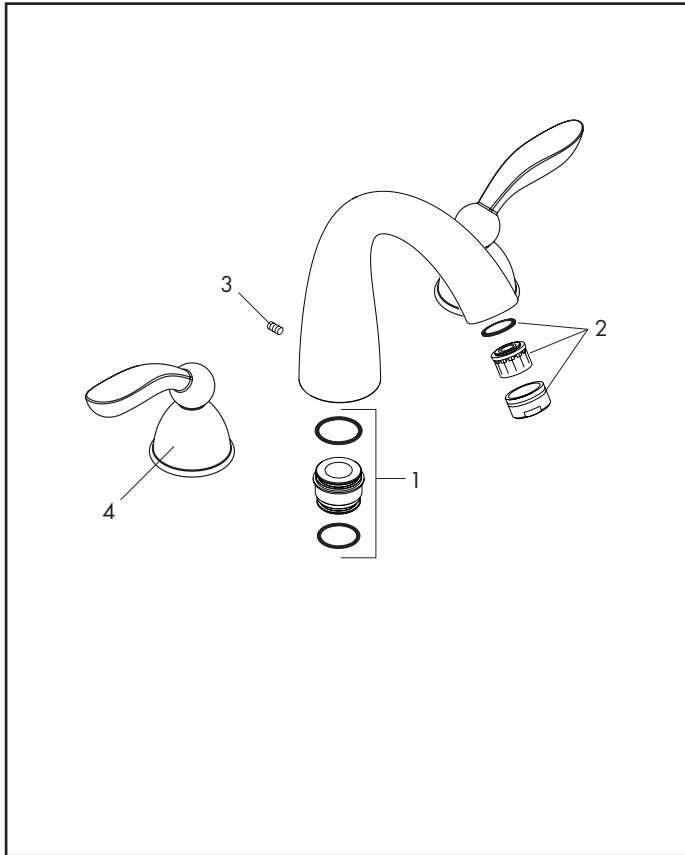
3-Hole roman tub trim / Mélangeur 3 trous sur carrelage / Batería 3 agujeros para repisa



06630xx0



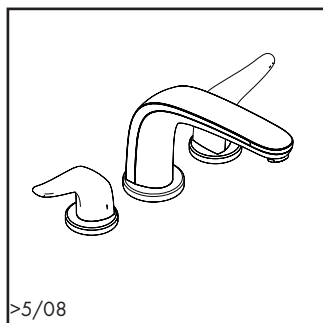
06607000



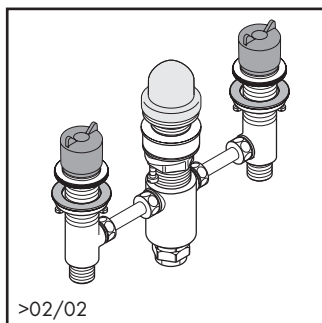
| Pos. | Description | Description | Denominación | No./Nr./N° | PG |
|------|--------------------|---------------------------|--------------------------|------------|-------|
| 1 | spout adapter | adapteur pour bec | adaptador surtidor | 88512000 | 1 8 |
| 2 | aerator | aérateur | aireador | 13956xx0 | 1 3* |
| 3 | set screw | vis | tornillo manecilla | 96029000 | 1 3 |
| 4 | Solaris® handle | poignée Solaris | manija Solaris | 88569xx0 | 1 12* |
| | rough, see p. 8.68 | set de base, voir p. 8.68 | cuerpo base, ver p. 8.68 | 06607000 | |
| | | | | | |
| | | | | | |
| | | | | | |
| | | | | | |
| | | | | | |
| | | | | | |
| | | | | | |
| | | | | | |
| | | | | | |
| | | | | | |

Metro E

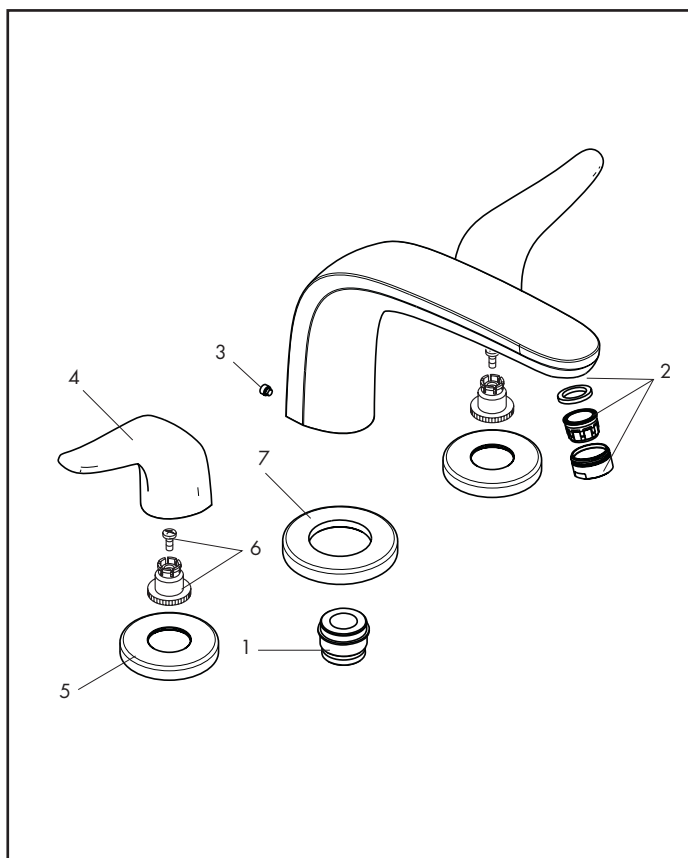
3-Hole roman tub trim / Mélangeur 3 trous sur carrelage / Batería 3 agujeros para repisa



04196xx0



06607000



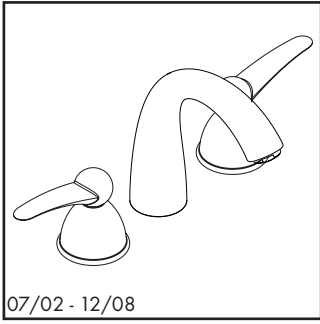
| Pos. | Description | Description | Denominación | No./Nr./N° | PG |
|------|--|--|--|----------------------|---------|
| 1 | spout adapter | adapteur pour bec | adaptador surtidor | 88512000 | 1 8 |
| 2 | aerator | aérateur | aireador | 13914xx0 | 1 4* |
| 3 | set screw | vis | tornillo manecilla | 97660000 | 1 1 |
| 4 | Metro E handle | poignée Metro E | manija Metro E | | 1 99 |
| 5 | handle escutcheon | rosace pour poignée | florón para manija | 31098xx0 | 1 99 |
| 6 | snap connector | entraîneur + vis | anclaje para manija | 94184000 | 1 2 |
| 7 | spout escutcheon rough, see p. 8.68 | rosace pour bec set de base, voir p. 8.68 | florón para surtidor cuerpo base, ver p. 8.68 | 97779xx0 06607000 | 1 13* |
| | | | | | |
| | | | | | |
| | | | | | |
| | | | | | |
| | | | | | |
| | | | | | |
| | | | | | |
| | | | | | |
| | | | | | |
| | | | | | |
| | | | | | |
| | | | | | |
| | | | | | |



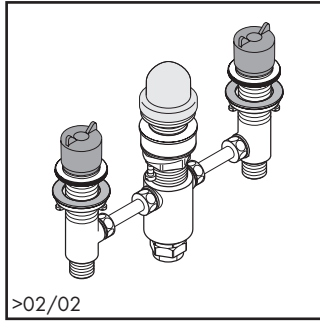
xx = Please see page 8.1 for finish codes / *PG is for Chrome only. See the index for other finishes.
xx = Description des codes couleur page 8.1 / *PG concerne Chromé seulement. Pour les autres, voir dans la liste des références.
xx = Para el código de acabados ver p. 8.1 / *La PG vale para Cromado solo. Ver el índice para las otras superficies.

Metro

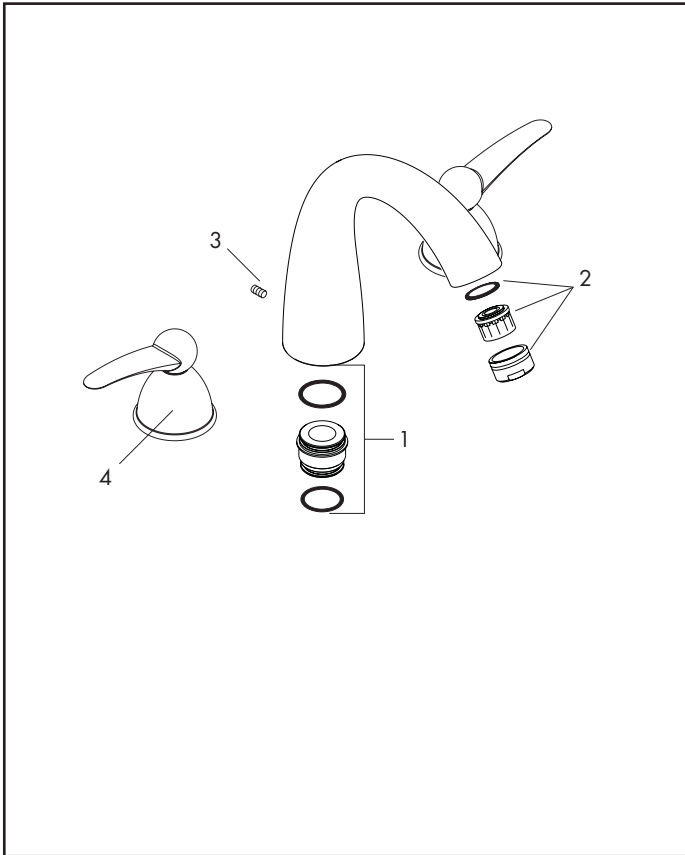
3-Hole roman tub trim / Mélangeur 3 trous sur carrelage / Batería 3 agujeros para repisa



06651xx0



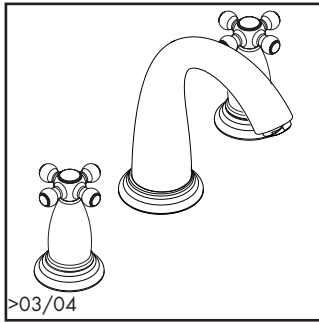
06607000



| Pos. | Description | Description | Denominación | No./Nr./N° | PG |
|------|--------------------|---------------------------|--------------------------|------------|-------|
| 1 | spout adapter | adapteur pour bec | adaptador surtidor | 88512000 | 1 8 |
| 2 | aerator | aérateur | aireador | 13956xx0 | 1 3* |
| 3 | set screw | vis | tornillo manecilla | 96029000 | 1 3 |
| 4 | Metro handle | poignée Metro | manija Metro | 88570xx0 | 1 11* |
| | rough, see p. 8.68 | set de base, voir p. 8.68 | cuerpo base, ver p. 8.68 | 06607000 | |
| | | | | | |
| | | | | | |
| | | | | | |
| | | | | | |
| | | | | | |
| | | | | | |
| | | | | | |
| | | | | | |
| | | | | | |
| | | | | | |
| | | | | | |
| | | | | | |
| | | | | | |
| | | | | | |
| | | | | | |
| | | | | | |
| | | | | | |
| | | | | | |
| | | | | | |
| | | | | | |
| | | | | | |
| | | | | | |

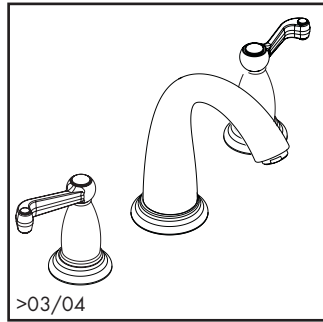
Swing® C

3-Hole roman tub trim / Mélangeur 3 trous sur carrelage / Batería 3 agujeros para repisa



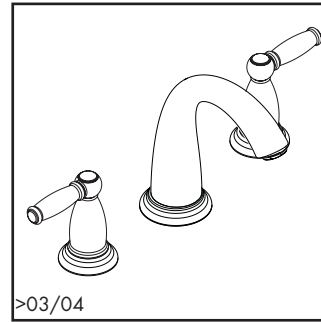
>03/04

06122xx0



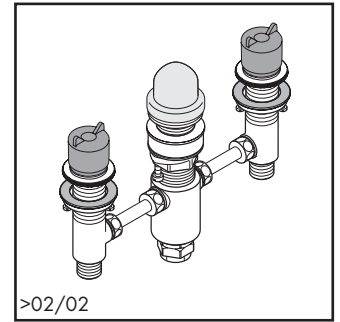
>03/04

06121xx0



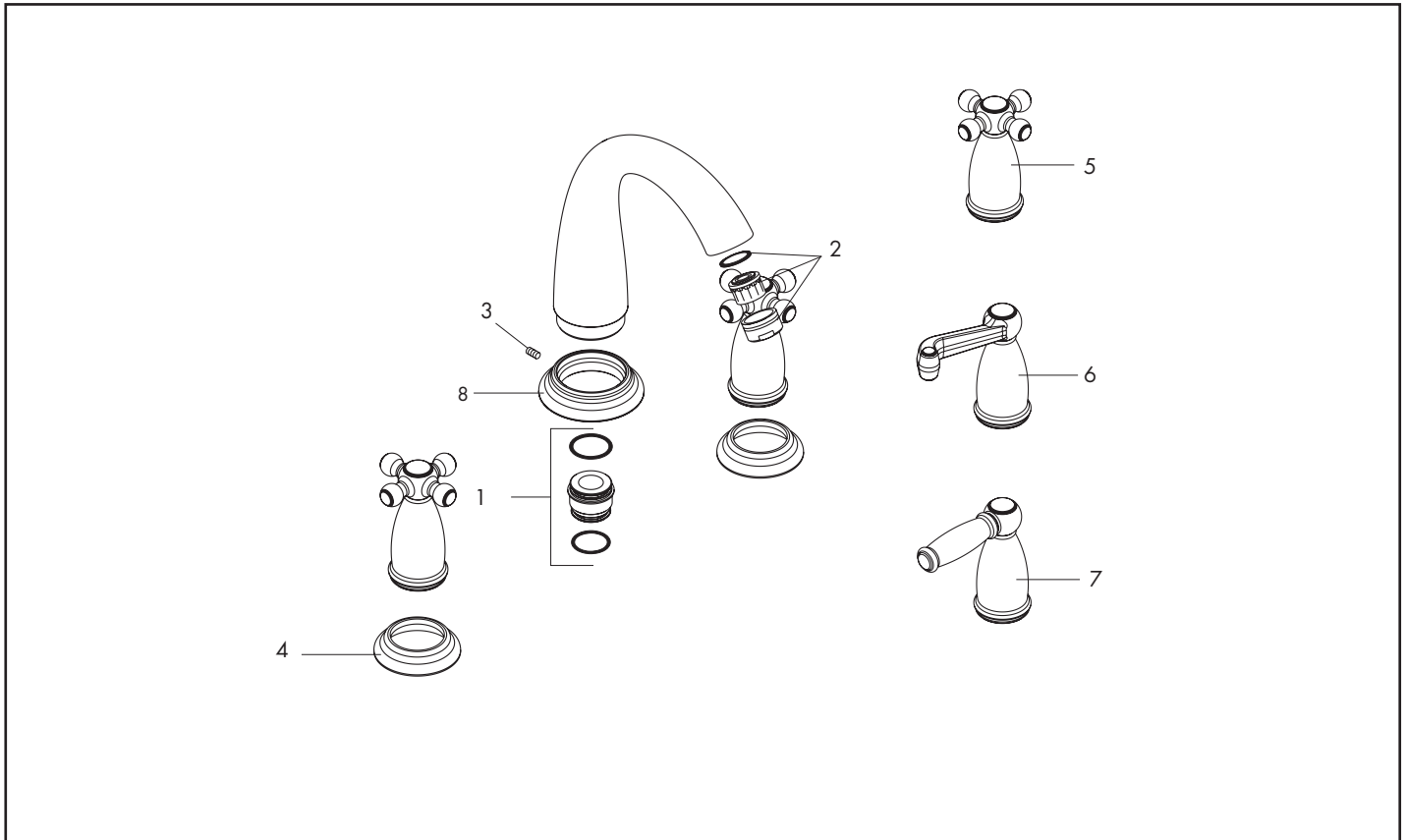
>03/04

06120xx0



>02/02

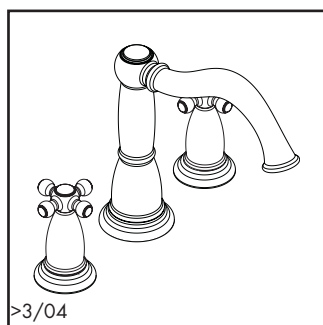
06607000



| Pos. | Description | Description | Denominación | No./Nr./N° | PG |
|------|---------------------|---------------------------|------------------------------|------------|-------|
| 1 | spout adapter | adapteur pour bec | adaptador surtidor | 88512000 | 1 8 |
| 2 | aerator | aérateur | aireador | 13956xx0 | 1 3* |
| 3 | set screw | vis | tornillo manecilla | 96029000 | 1 3 |
| 4 | handle deco-ring | rosace pour poignée | florón para manija | 88600xx0 | 1 6* |
| 5 | cross handle | poignée croisillon | manija en cruz | | 1 99 |
| 6 | scroll handle, cold | poignée volute, froide | manija tipo voluta, fría | 88616xx0 | 1 14* |
| | scroll handle, hot | poignée volute, chaude | manija tipo voluta, caliente | 88617xx0 | 1 14* |
| 7 | lever handle | poignée levier | manija tipo palanca | 88612xx0 | 1 16* |
| 8 | spout deco-ring | rosace pour bec | florón para surtidor | 88735xx0 | 1 99 |
| | rough, see p. 8.68 | set de base, voir p. 8.68 | cuerpo base, ver p. 8.68 | 06607000 | |

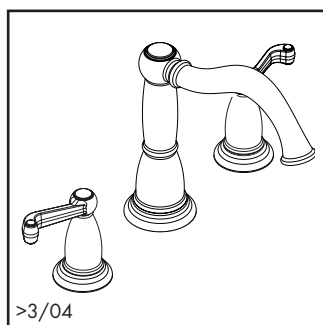
Tango® C

3-Hole roman tub trim / Mélangeur 3 trous sur carrelage / Batería 3 agujeros para repisa



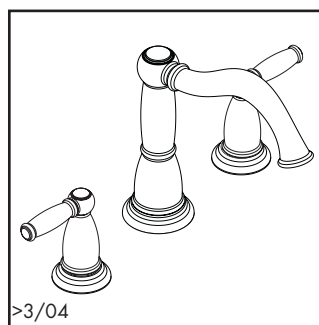
>3/04

06045xx0



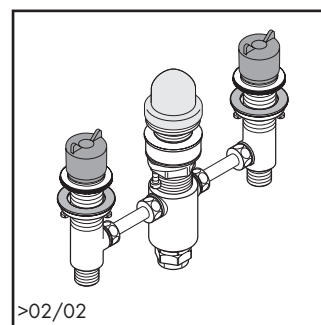
>3/04

06044xx0



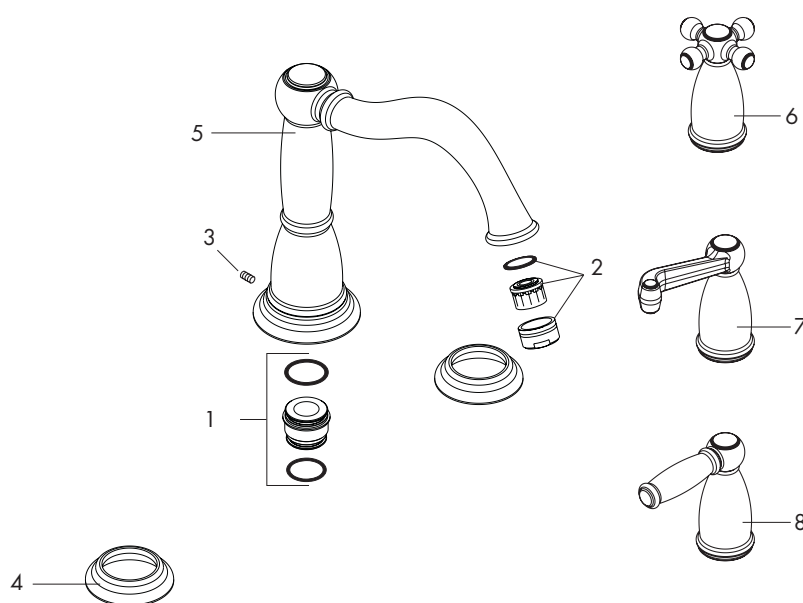
>3/04

06043xx0

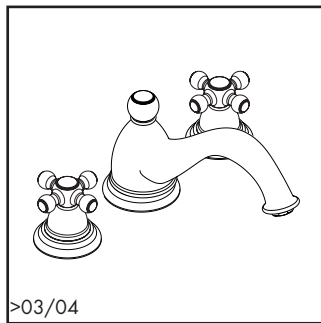


>02/02

06607000

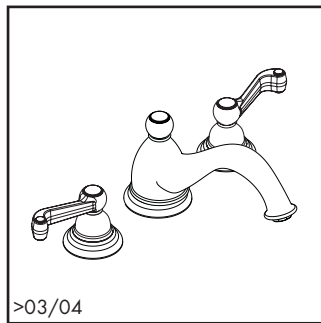


| Pos. | Description | Description | Denominación | No./Nr./N° | PG |
|------|---------------------|---------------------------|------------------------------|------------|-------|
| 1 | spout adapter | adapteur pour bec | adaptador surtidor | 88512000 | 1 8 |
| 2 | aerator | aérateur | aireador | 13956xx0 | 1 3* |
| 3 | set screw | vis | tornillo manecilla | 96029000 | 1 3 |
| 4 | handle deco-ring | rosace pour poignée | florón para manija | 88600xx0 | 1 6* |
| 5 | spout | bec | surtidor | 88605xx0 | 1 16* |
| 6 | cross handle | poignée croisillon | manija en cruz | | 1 99 |
| 7 | scroll handle, cold | poignée volute, froide | manija tipo voluta, fría | 88616xx0 | 1 14* |
| | scroll handle, hot | poignée volute, chaude | manija tipo voluta, caliente | 88617xx0 | 1 14* |
| 8 | lever handle | poignée levier | manija tipo palanca | 88612xx0 | 1 16* |
| | rough, see p. 8.68 | set de base, voir p. 8.68 | cuerpo base, ver p. 8.68 | 06607000 | |
| | | | | | |
| | | | | | |
| | | | | | |
| | | | | | |
| | | | | | |
| | | | | | |
| | | | | | |
| | | | | | |
| | | | | | |
| | | | | | |
| | | | | | |



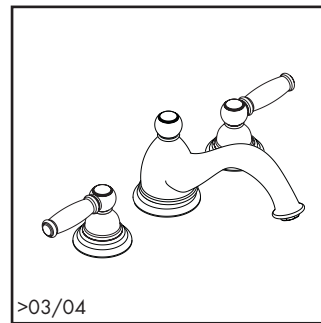
>03/04

06109xx0



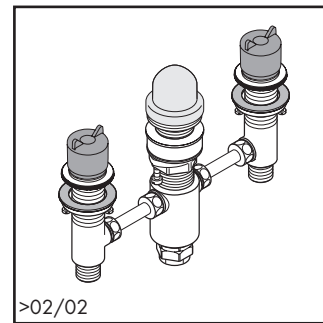
>03/04

06108xx0



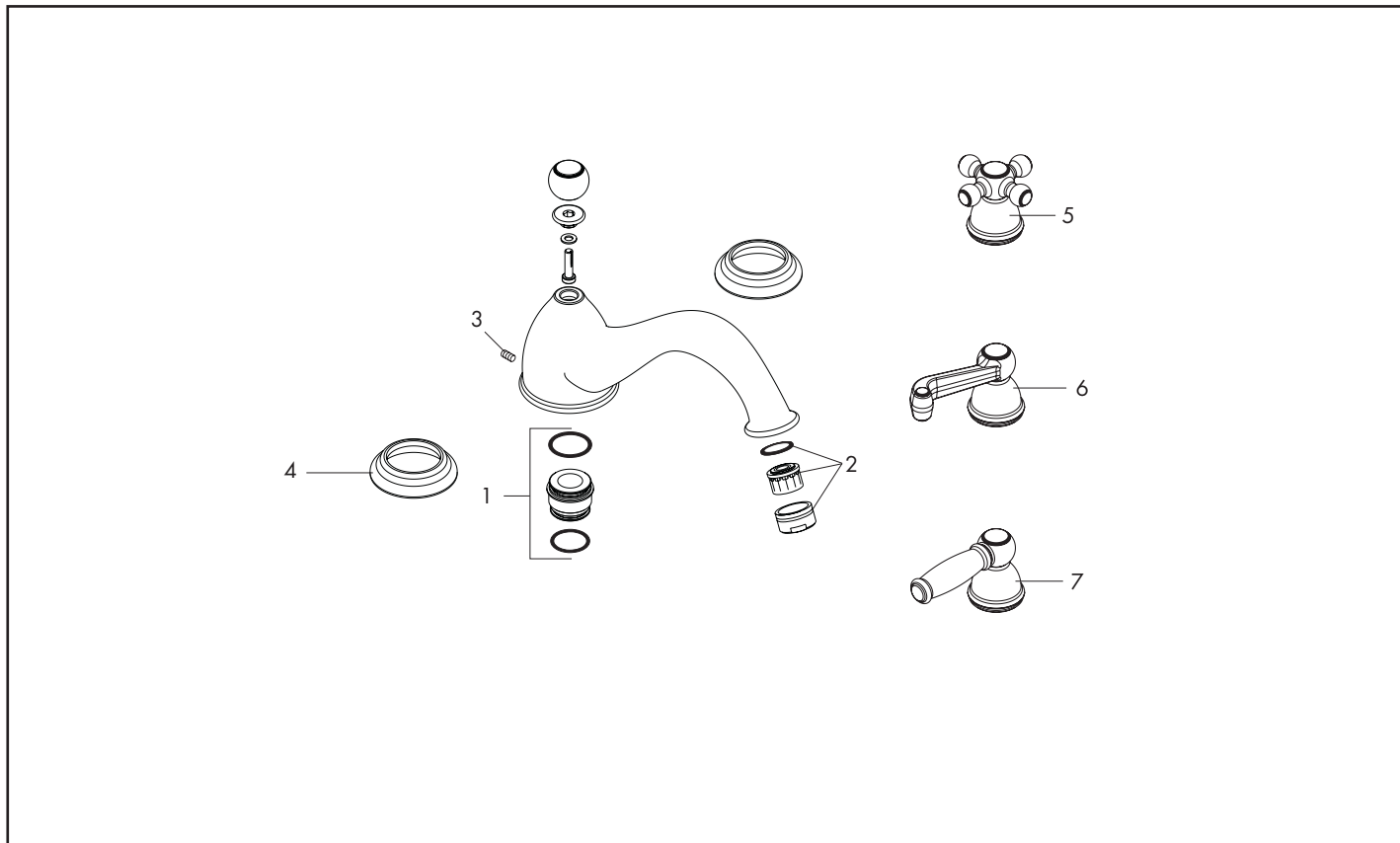
>03/04

06107xx0



>02/02

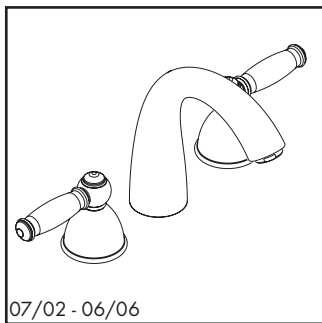
06607000



| Pos. | Description | Description | Denominación | No./Nr./N° | PG |
|------|--------------------|---------------------------|------------------------------|------------|-------|
| 1 | spout adapter | adapteur pour bec | adaptador surtidor | 88512000 | 1 8 |
| 2 | aerator | aérateur | aireador | 13956xx0 | 1 3* |
| 3 | set screw | vis | tornillo manecilla | 96029000 | 1 3 |
| 4 | handle deco-ring | rosace pour poignée | florón para manija | 88600xx0 | 1 6* |
| 5 | cross handle | poignée croisillon | manija en cruz | | 1 99 |
| 6 | scroll handle, hot | poignée volute, chaude | manija tipo voluta, caliente | | 1 99 |
| | scroll cold handle | poignée volute, froide | manija tipo voluta, fría | | 1 99 |
| 7 | lever handle | poignée levier | manija tipo palanca | 88615xx0 | 1 14* |
| | rough, see p. 8.68 | set de base, voir p. 8.68 | cuero base, ver p. 8.68 | 06607000 | |

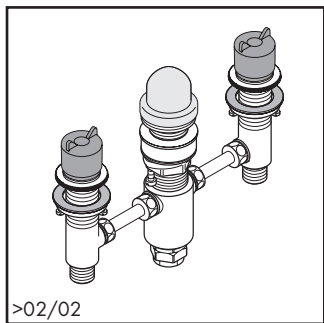
1901

3-Hole roman tub trim / Mélangeur 3 trous sur carrelage / Bateria 3 agujeros para repisa



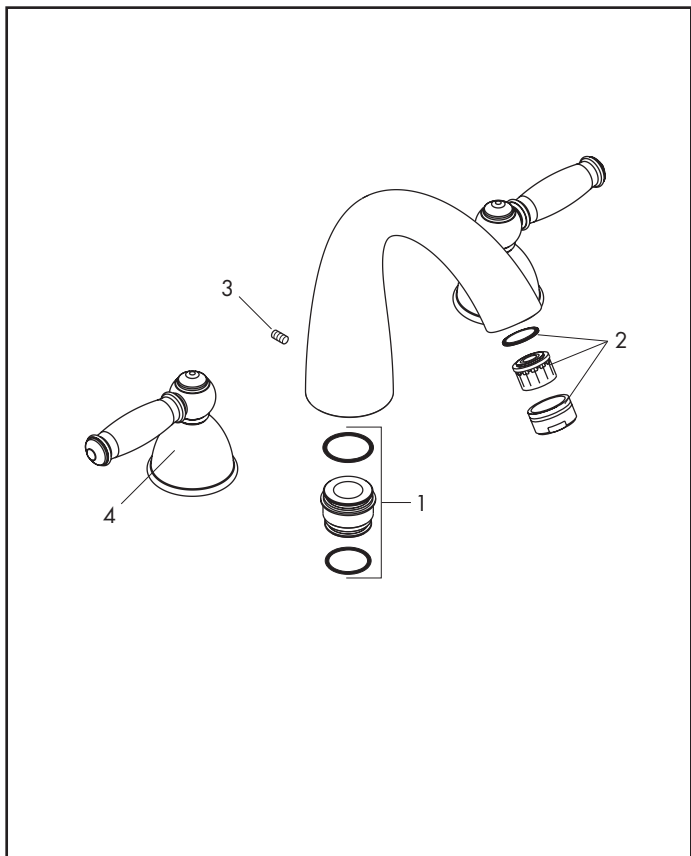
07/02 - 06/06

06606xx0



>02/02

06607000

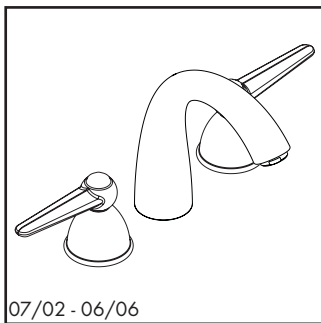


| Pos. | Description | Description | Denominación | No./Nr./N° | PG |
|------|--------------------|---------------------------|--------------------------|------------|-------|
| 1 | spout adapter | adapteur pour bec | adaptador surtidor | 88512000 | 1 8 |
| 2 | aerator | aérateur | aireador | 13956xx0 | 1 3* |
| 3 | set screw | vis | tornillo manecilla | 96029000 | 1 3 |
| 5 | 1901 handle | poignée 1901 | manija 1901 | 88572xx0 | 1 12* |
| | rough, see p. 8.68 | set de base, voir p. 8.68 | cuerpo base, ver p. 8.68 | 06607000 | |
| | | | | | |
| | | | | | |
| | | | | | |
| | | | | | |
| | | | | | |
| | | | | | |
| | | | | | |
| | | | | | |
| | | | | | |
| | | | | | |
| | | | | | |
| | | | | | |
| | | | | | |
| | | | | | |

xx = Please see page 8.1 for finish codes / *PG is for Chrome only. See the index for other finishes.
 xx = Description des codes couleur page 8.1 / *PG concerne Chromé seulement. Pour les autres, voir dans la liste des références.
 xx = Para el código de acabados ver p. 8.1 / *La PG vale para Cromado solo. Ver el indice para las otras superficies.

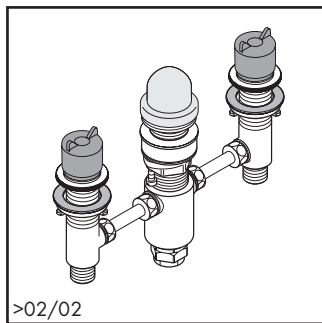
Monsoon

3-Hole roman tub trim / Mélangeur 3 trous sur carrelage / Batería 3 agujeros para repisa



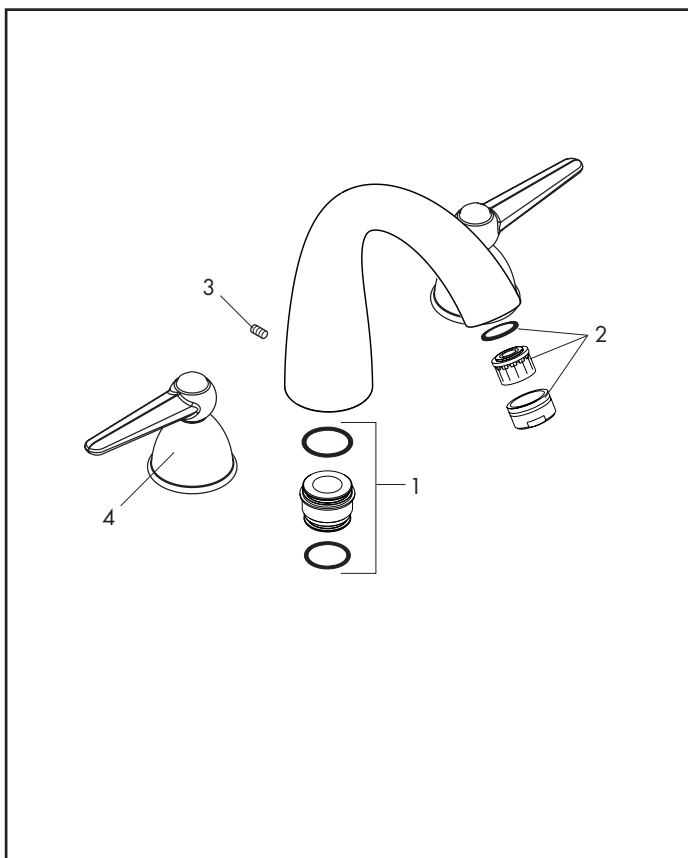
07/02 - 06/06

06671xx0



>02/02

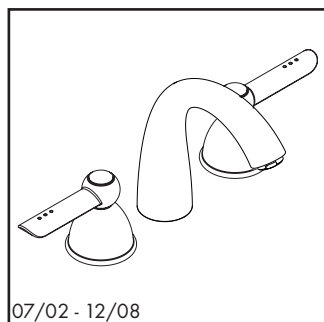
06607000



| Pos. | Description | Description | Denominación | No./Nr./N° | PG |
|------|--------------------|---------------------------|--------------------------|------------|-------|
| 1 | spout adapter | adaptateur pour bec | adaptador surtidor | 88512000 | 1 8 |
| 2 | aerator | aérateur | aireador | 13956xx0 | 1 3* |
| 3 | set screw | vis | tornillo manecilla | 96029000 | 1 3 |
| 5 | Monsoon handle | poignée Monsoon | manija Monsoon | 88573xx0 | 1 11* |
| | rough, see p. 8.68 | set de base, voir p. 8.68 | cuerpo base, ver p. 8.68 | 06607000 | |
| | | | | | |
| | | | | | |
| | | | | | |
| | | | | | |
| | | | | | |
| | | | | | |
| | | | | | |
| | | | | | |
| | | | | | |
| | | | | | |
| | | | | | |
| | | | | | |
| | | | | | |
| | | | | | |
| | | | | | |
| | | | | | |
| | | | | | |
| | | | | | |

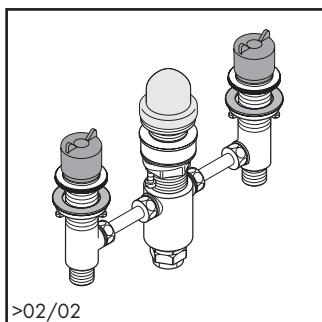
Stratos E

3-Hole roman tub trim / Mélangeur 3 trous sur carrelage / Batería 3 agujeros para repisa



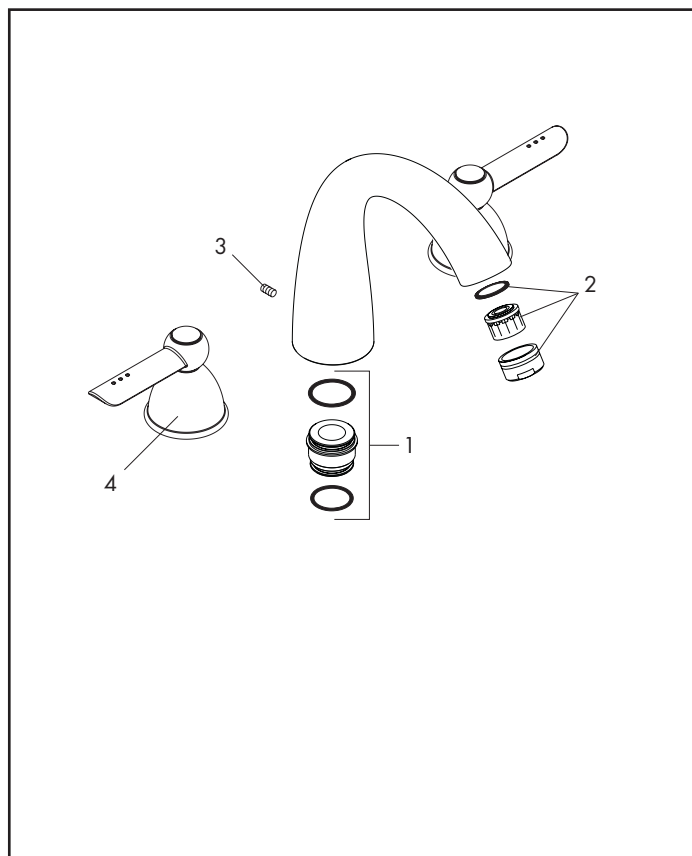
07/02 - 12/08

06574xx0



>02/02

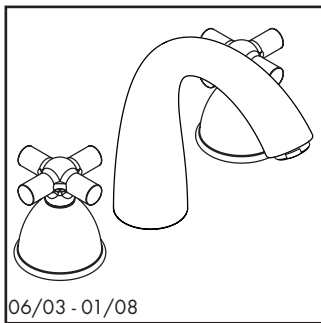
06607000



| Pos. | Description | Description | Denominación | No./Nr./N° | PG |
|------|--------------------|---------------------------|--------------------------|------------|-------|
| 1 | spout adapter | adapteur pour bec | adaptador surtidor | 88512000 | 1 8 |
| 2 | aerator | aérateur | aireador | 13956xx0 | 1 3* |
| 3 | set screw | vis | tornillo manecilla | 96029xx0 | 1 3 |
| 5 | Stratos E handle | poignée Stratos E | manija Stratos E | 88571xx0 | 1 11* |
| | rough, see p. 8.68 | set de base, voir p. 8.68 | cuerpo base, ver p. 8.68 | 06607000 | |
| | | | | | |
| | | | | | |
| | | | | | |
| | | | | | |
| | | | | | |
| | | | | | |
| | | | | | |
| | | | | | |
| | | | | | |
| | | | | | |
| | | | | | |

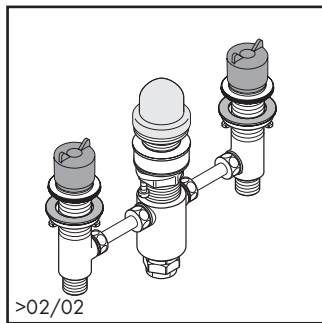
Interaktiv S

3-Hole roman tub trim / Mélangeur 3 trous sur carrelage / Batería 3 agujeros para repisa



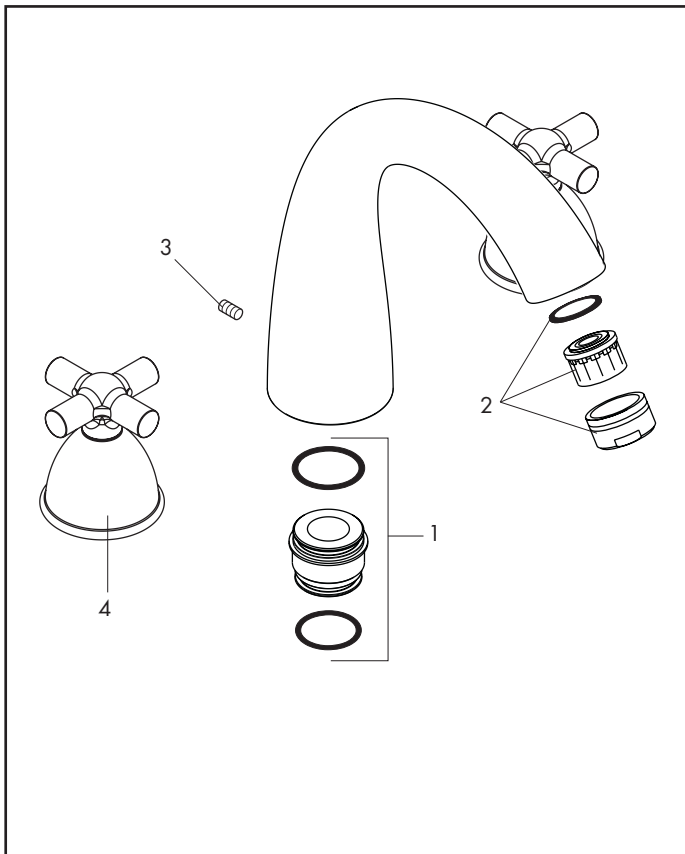
06/03 - 01/08

06875xx0



>02/02

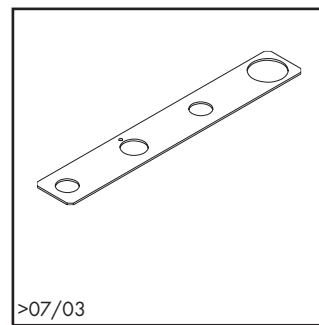
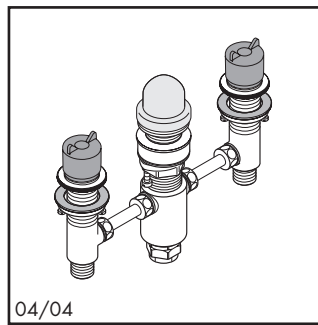
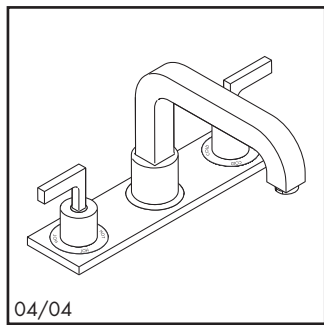
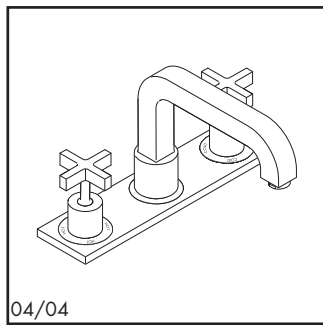
06607000



| Pos. | Description | Description | Denominación | No./Nr./N° | PG |
|------|---------------------|---------------------------|--------------------------|------------|------|
| 1 | spout adapter | adapteur pour bec | adaptador surtidor | 88512000 | 1 8 |
| 2 | aerator | aérateur | aíreador | 13956xx0 | 1 3* |
| 3 | set screw | vis | tornillo manecilla | 96029xx0 | 1 3 |
| 4 | Interaktiv S handle | poignée Interaktiv S | manija Interaktiv S | | 99 |
| | rough, see p. 8.68 | set de base, voir p. 8.68 | cuerpo base, ver p. 8.68 | 06607000 | |
| | | | | | |
| | | | | | |
| | | | | | |
| | | | | | |
| | | | | | |
| | | | | | |
| | | | | | |
| | | | | | |
| | | | | | |
| | | | | | |
| | | | | | |
| | | | | | |
| | | | | | |
| | | | | | |
| | | | | | |
| | | | | | |
| | | | | | |
| | | | | | |
| | | | | | |
| | | | | | |

Axor® Citterio

3 Hole roman tub trim / Mélangeur 3 trous sur carrelage / Batería 3 agujeros para repisa

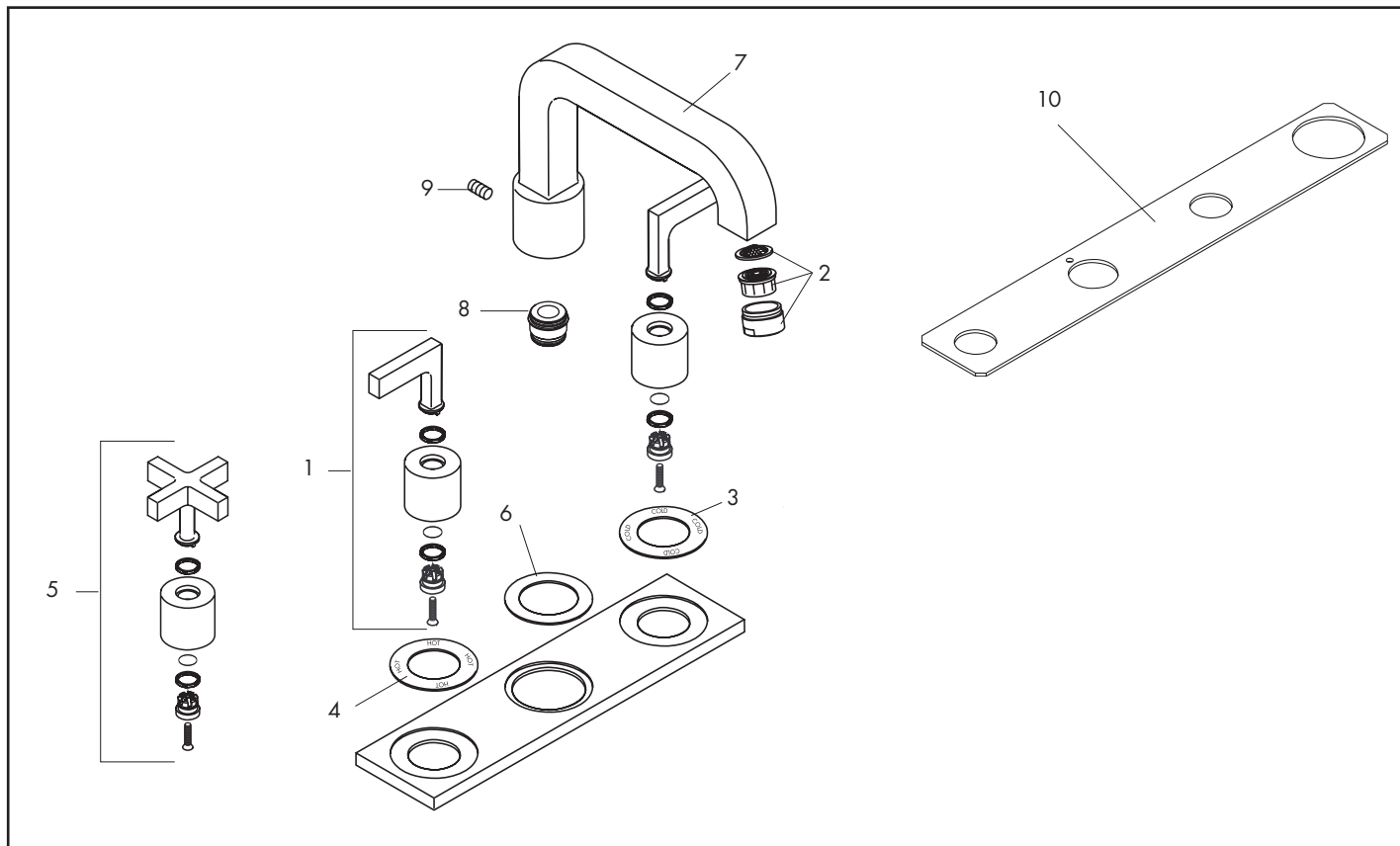


04/04
39432xx1

04/04
39434xx1

04/04
06310000

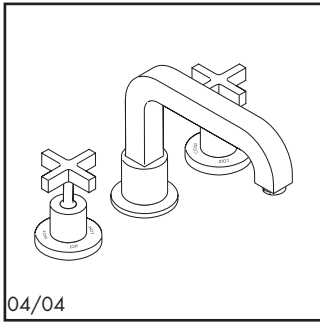
>07/03
39449001



| Pos. | Description | Description | Denominación | No./Nr./N° | PG |
|------|-----------------------|---------------------------|----------------------------|------------|-------|
| 1 | lever handle | poignée levier | manija tipo palanca | 39294xx0 | 1 14* |
| 2 | aerator M24x1 B | aérateur M24x1 B | aireador M24x1 B | 13956xx0 | 1 3* |
| 3 | cold escutcheon | rosace eau froide | embellecedor agua fría | 96779xx0 | 1 10* |
| 4 | hot escutcheon | rosace eau chaude | embellecedor agua caliente | 96778xx0 | 1 10* |
| 5 | cross handle | poignée croisillon | manija en cruz | 39292xx0 | 1 16* |
| 6 | escutcheon | rosace | embellecedor mezclador | 96780xx0 | 1 10* |
| 7 | spout | bec | surtidor | 97125xx1 | 1 21* |
| 8 | spout adapter | adaptateur pour bec | adaptador surtidor | 88512000 | 1 8 |
| 9 | hollow set screw M6x6 | vis M6x6 | tornillo manecilla M6x6 | 97660000 | 1 1 |
| 10 | mounting plate | kit de montage | set de montaje | 39449001 | 1 98 |
| | rough, see p. 8.68 | set de base, voir p. 8.68 | cuerpo base, ver p. 8.68 | 06310000 | |

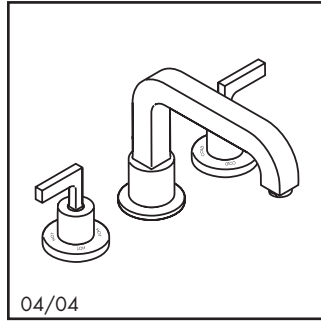
Axor® Citterio

3 Hole roman tub trim / Mélangeur 3 trous sur carrelage / Batería 3 agujeros para repisa



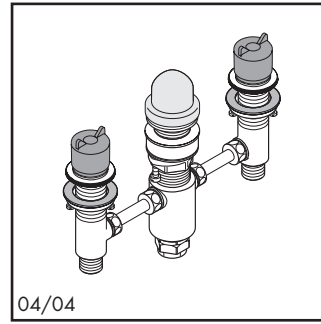
04/04

39433xx1



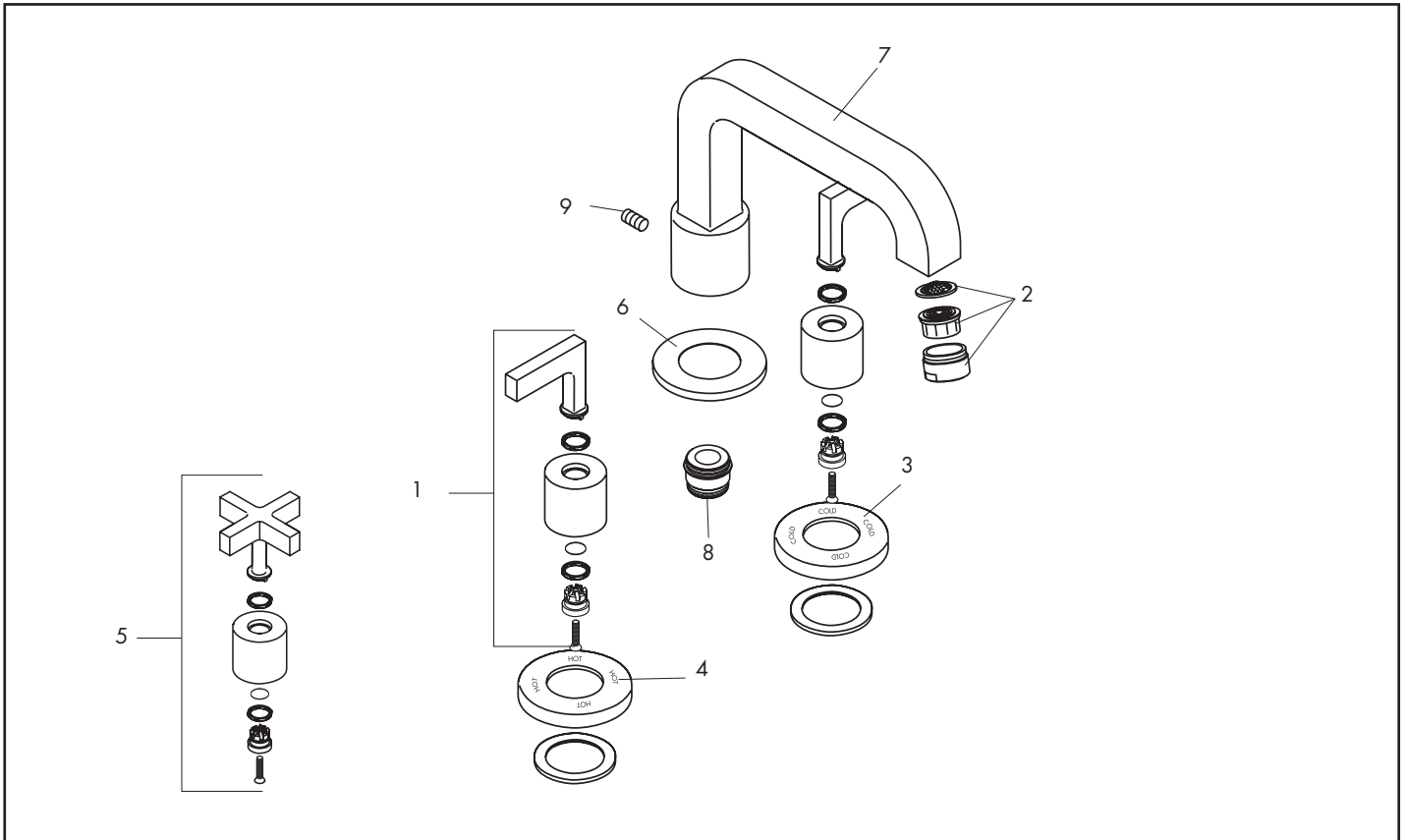
04/04

39435xx1



04/04

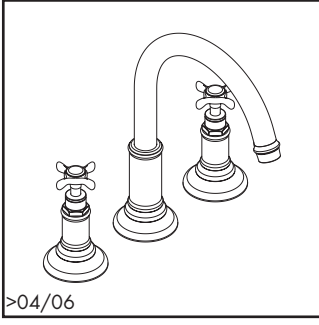
06310000



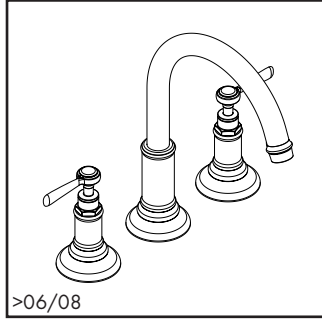
| Pos. | Description | Description | Denominación | No./Nr./N° | PG |
|------|---|---------------------------------------|---|----------------------|-------|
| 1 | lever handle | poignée levier | manija tipo palanca | 39294xx0 | 1 14* |
| 2 | aerator M24x1 B | aérateur M24x1 B | aireador M24x1 B | 13956xx0 | 1 3* |
| 3 | cold escutcheon | rosace eau froide | embellecedor agua fría | 96772xx0 | 1 12* |
| 4 | hot escutcheon | rosace eau chaude | embellecedor agua caliente | 96771xx0 | 1 14* |
| 5 | cross handle | poignée croisillon | manija en cruz | 39292xx0 | 1 16* |
| 6 | escutcheon | rosace | embellecedor mezclador | 96782xx0 | 1 11* |
| 7 | spout | bec | surtidor | 97125xx1 | 1 21* |
| 8 | spout adapter | adaptateur pour bec | adaptador surtidor | 88512000 | 1 8 |
| 9 | hollow set screw M6x6 rough, see p. 8.68 | vis M6x6 set de base, voir p. 8.68 | tornillo manecilla M6x6 cuerpo base, ver p. 8.68 | 97660000 06310000 | 1 1 |
| | | | | | |
| | | | | | |
| | | | | | |
| | | | | | |
| | | | | | |
| | | | | | |
| | | | | | |
| | | | | | |
| | | | | | |
| | | | | | |
| | | | | | |

Axor® Montreux

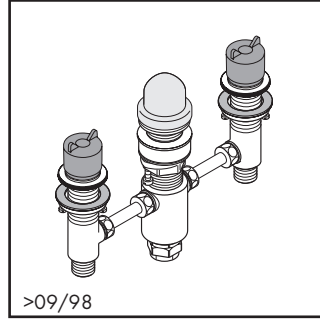
3-Hole roman tub trim / Mélangeur 3 trous sur carrelage / Batería 3 agujeros para repisa



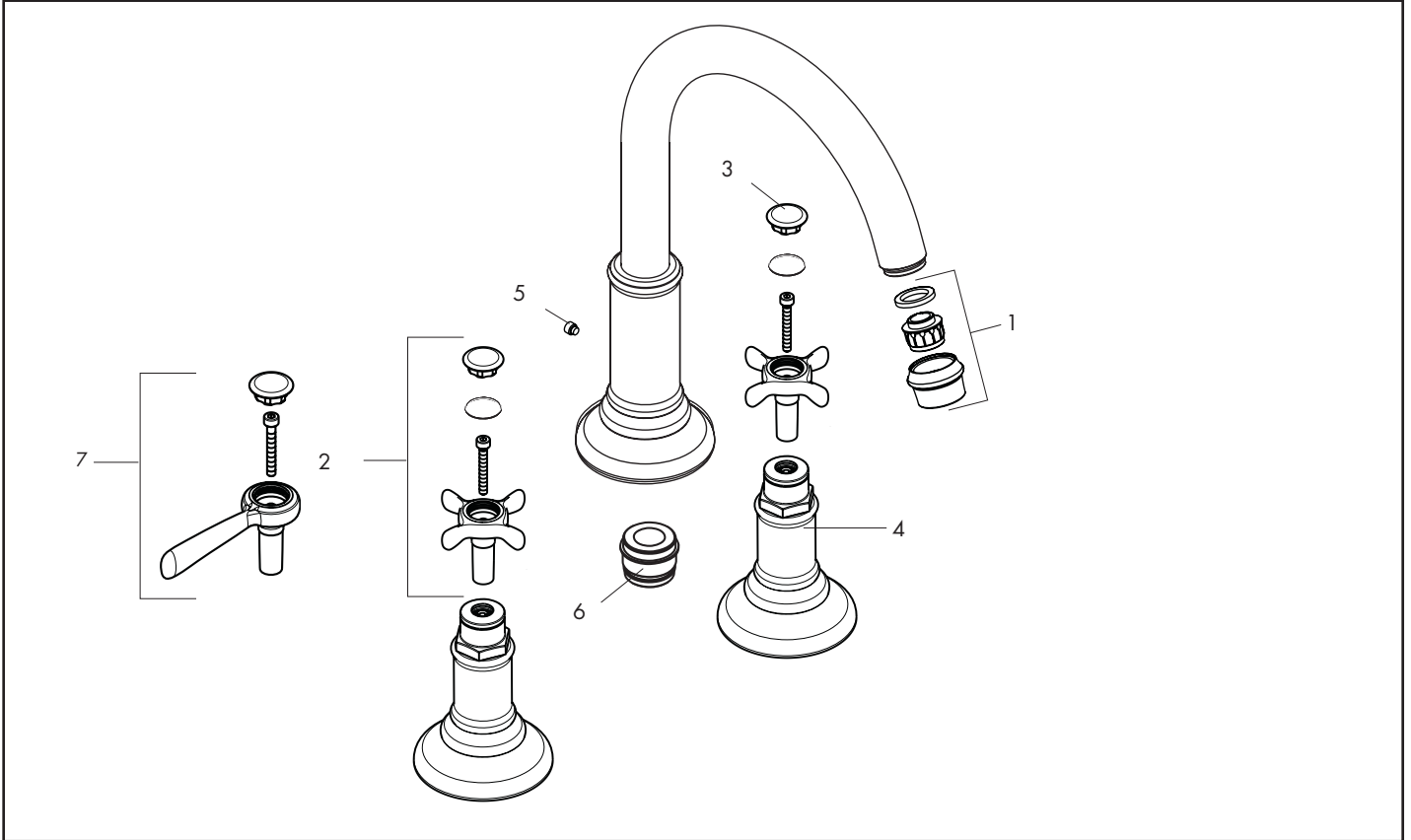
16543xx1X



16545xx1



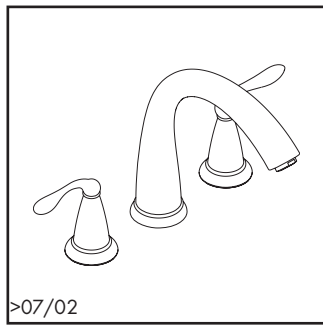
06310000



| Pos. | Description | Description | Denominación | No./Nr./N° | PG |
|------|------------------------------------|---|---|----------------------|--------|
| 1 | aerator M24x1 | aérateur M24x1 | aireador M24x1 | 98575xx0 | 1 99 |
| 2 | cross handle | poignée croisillon | manija en cruz | 16291xx0 | 1 99 |
| 3 | screw cover cold / hot water | cache vis couleur eau chaude/froide | tapón frío /caliente | 97987000 | set 12 |
| 4 | escutcheon | rosace pour poignée | florón para manija | 98605xx0 | 1 99 |
| 5 | hollow set screw M6x6 | vis M6x6 | tornillo manecilla M6x6 | 97660000 | 1 1 |
| 6 | spout adapter | adaptateur pour bec | adaptador surtidor | 88512000 | 1 8 |
| 7 | lever handle rough, see p. 8.68 | poignée levier set de base, voir p. 8.68 | manija tipo palanca cuerpo base, ver p. 8.68 | 16691xx0 06310000 | 1 17* |
| | | | | | |
| | | | | | |
| | | | | | |
| | | | | | |
| | | | | | |
| | | | | | |
| | | | | | |
| | | | | | |
| | | | | | |
| | | | | | |
| | | | | | |
| | | | | | |
| | | | | | |
| | | | | | |
| | | | | | |
| | | | | | |

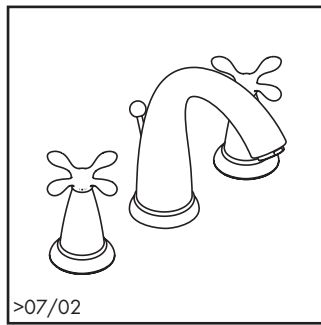
Axor® Phoenix

3 Hole roman tub trim / Mélangeur 3 trous sur carrelage / Batería 3 agujeros para repisa



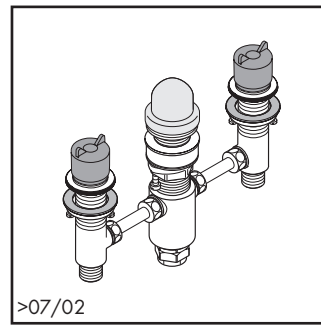
>07/02

17435xx1



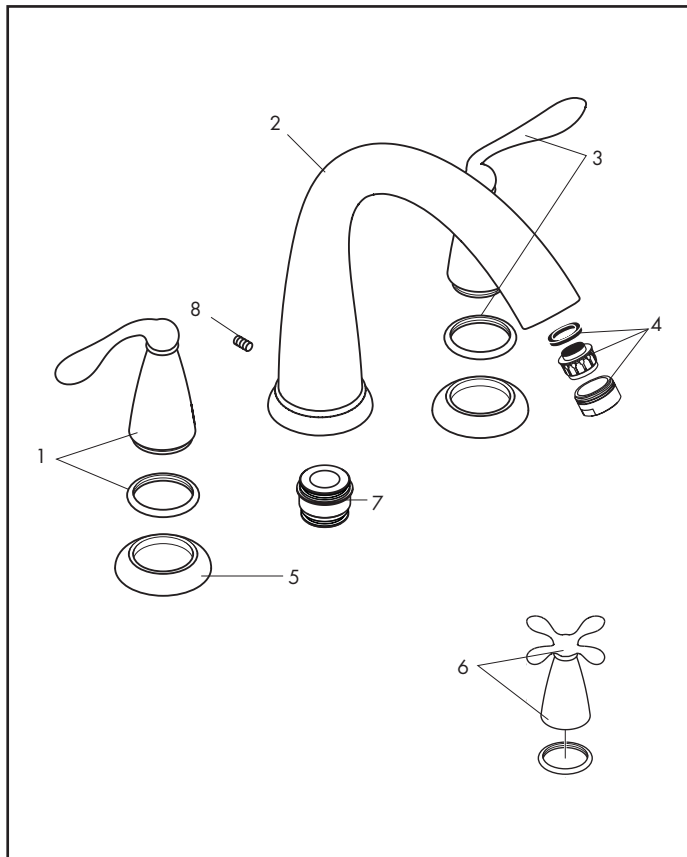
>07/02

17436xx1



>07/02

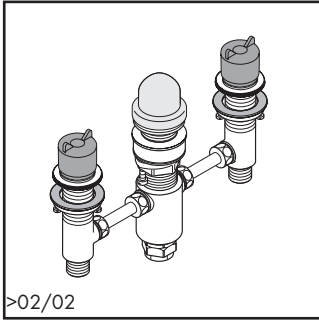
06310000



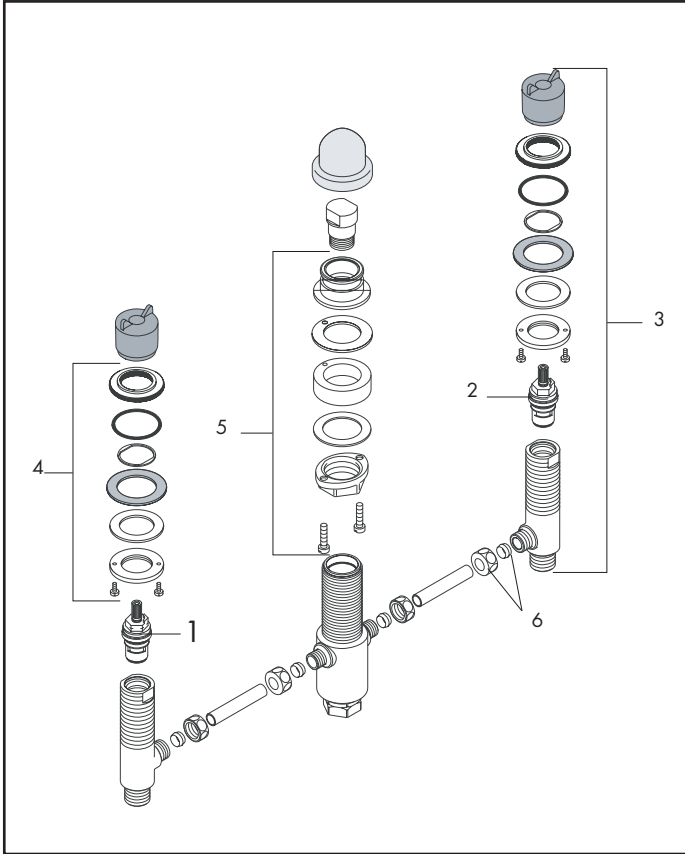
| Pos. | Description | Description | Denominación | No./Nr./N° | PG |
|------|--------------------|---------------------------|-------------------------------|------------|-------|
| 1 | lever handle, hot | poignée levier, chaude | manija tipo palanca, caliente | 96628xx1 | 1 14* |
| 2 | spout | bec | surtidor | 97806xx1 | 1 99 |
| 3 | lever handle, cold | poignée levier, froide | manija tipo palanca, fría | 96629xx1 | 1 14* |
| 4 | aerator | aérateur | aireador | 13956xx0 | 1 3* |
| 5 | escutcheon | rosace | florón | 94035xx0 | 1 6* |
| 6 | cross handle | poignée croisillon | manija en cruz | 96793xx1 | 1 99 |
| 7 | sealing ring | joint | junta | 88512000 | 1 8 |
| 8 | screw | vis | tornillo | 96029000 | 1 3 |
| | rough, see p. 8.68 | set de base, voir p. 8.68 | cuero base, ver p. 8.68 | 06310000 | |
| | | | | | |
| | | | | | |
| | | | | | |
| | | | | | |
| | | | | | |
| | | | | | |
| | | | | | |
| | | | | | |
| | | | | | |
| | | | | | |
| | | | | | |
| | | | | | |
| | | | | | |
| | | | | | |



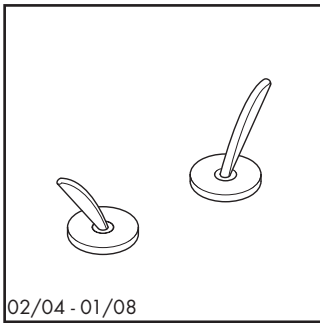
xx = Please see page 8.1 for finish codes / *PG is for Chrome only. See the index for other finishes.
 xx = Description des codes couleur page 8.1 / *PG concerne Chromé seulement. Pour les autres, voir dans la liste des références.
 xx = Para el código de acabados ver p. 8.1 / *La PG vale para Cromado solo. Ver el índice para las otras superficies.



06310000 / 06607000

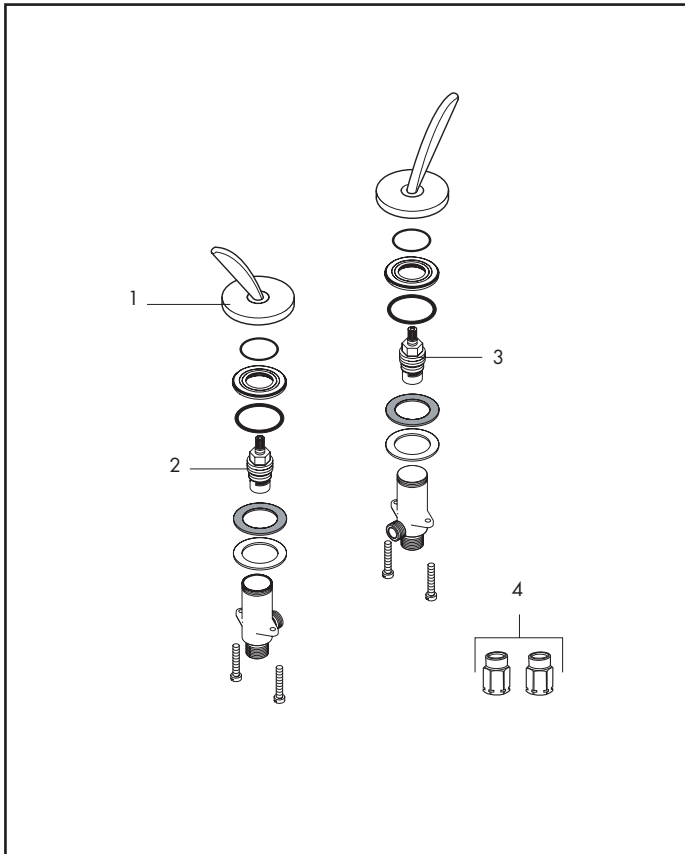


| Pos. | Description | Description | Denominación | No./Nr./N° | PG |
|------|---------------------------------|--|--------------------------------|------------|--------|
| 1 | hot cartridge | mécanisme arrêt chaud | montura caliente | 94009000 | 1 10 |
| 2 | cold cartridge | mécanisme arrêt froid | montura frio | 94008000 | 1 10 |
| 3 | stop valve | robinet d'arrêt | válvula completa | 88503000 | set 17 |
| 4 | valve mounting hardware | fixation | set de fijación | 88540000 | 1 8 |
| 5 | spout mounting hardware | fixation | set de fijación | 96080000 | 1 10 |
| 6 | 3/8" compression fitting (pair) | raccord a bague sertie 3/8" (2 pièces) | tuercas gíferia 3/8" (2 pieza) | 88513000 | set 4 |
| | | | | | |
| | | | | | |
| | | | | | |
| | | | | | |
| | | | | | |
| | | | | | |
| | | | | | |
| | | | | | |
| | | | | | |
| | | | | | |
| | | | | | |
| | | | | | |
| | | | | | |
| | | | | | |
| | | | | | |



02/04 - 01/08

10412xx1

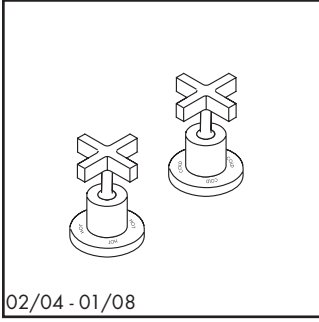


| Pos. | Description | Description | Denominación | No./Nr./N° | PG |
|------|----------------|-----------------------|------------------|------------|-------|
| 1 | handle | poignée | manija | 10091xx0 | 1 16* |
| 2 | hot cartridge | mécanisme arrêt chaud | montura caliente | 96766000 | 1 10 |
| 3 | cold cartridge | mécanisme arrêt froid | montura frío | 96765000 | 1 11 |
| 4 | nipple set | set de raccord | rácor | 98555000 | 1 99 |
| | | | | | |
| | | | | | |
| | | | | | |
| | | | | | |
| | | | | | |
| | | | | | |
| | | | | | |
| | | | | | |
| | | | | | |
| | | | | | |
| | | | | | |

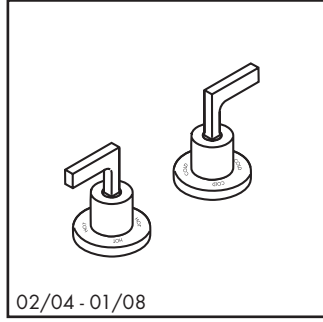
xx = Please see page 8.1 for finish codes / *PG is for Chrome only. See the index for other finishes.
 xx = Description des codes couleur page 8.1 / *PG concerne Chromé seulement. Pour les autres, voir dans la liste des références.
 xx = Para el código de acabados ver p. 8.1 / *La PG vale para Cromado solo. Ver el índice para las otras superficies.

Axor® Citterio

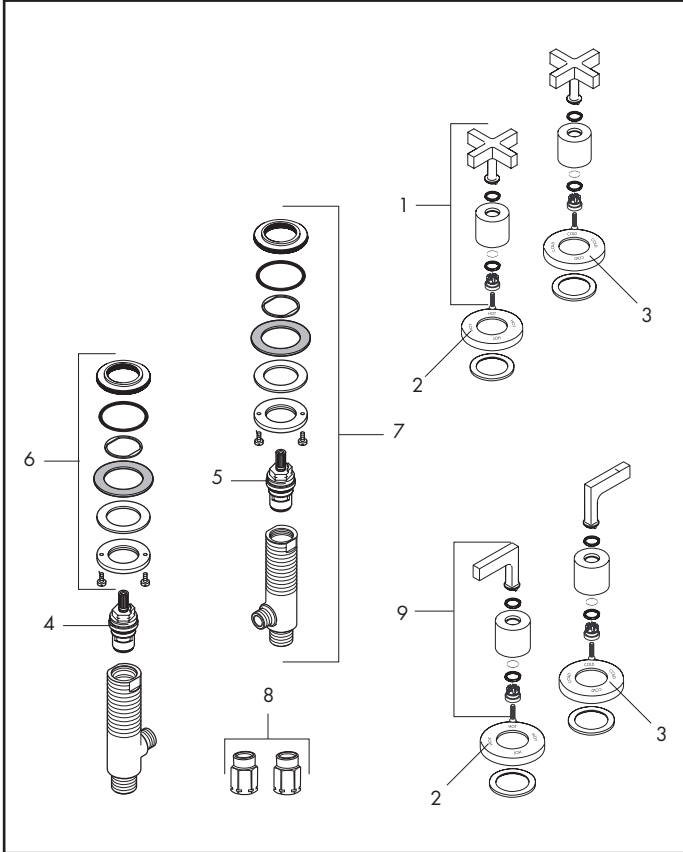
Deck valve set



02/04 - 01/08
39426xx1



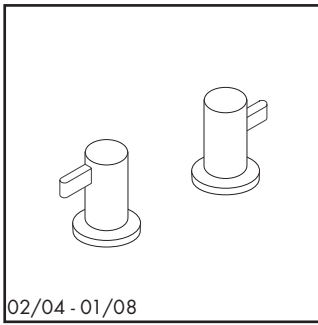
02/04 - 01/08
39427xx1



| Pos. | Description | Description | Denominación | No./Nr./N° | PG |
|------|-----------------|-----------------------|----------------------|------------|--------|
| 1 | cross handle | poignée croisillon | manija en cruz | 39292xx0 | 1 16* |
| 2 | hot escutcheon | rosace eau chaude | florón agua caliente | 96771xx0 | 1 14* |
| 3 | cold escutcheon | rosace eau froide | florón agua fría | 96772xx0 | 1 12* |
| 4 | hot cartridge | mécanisme arrêt chaud | montura caliente | 94009000 | 1 10 |
| 5 | cold cartridge | mécanisme arrêt froid | montura frío | 94008000 | 1 10 |
| 6 | mounting set | set de fixation | fijación | 88540000 | 1 8 |
| 7 | valve set | robinet d'arrêt | válvula completa | 88503000 | set 17 |
| 8 | nipple set | set de raccord | rácor | 98555000 | 1 99 |
| 9 | lever handle | poignée levier | manija tipo palanca | 39294xx0 | 1 14* |

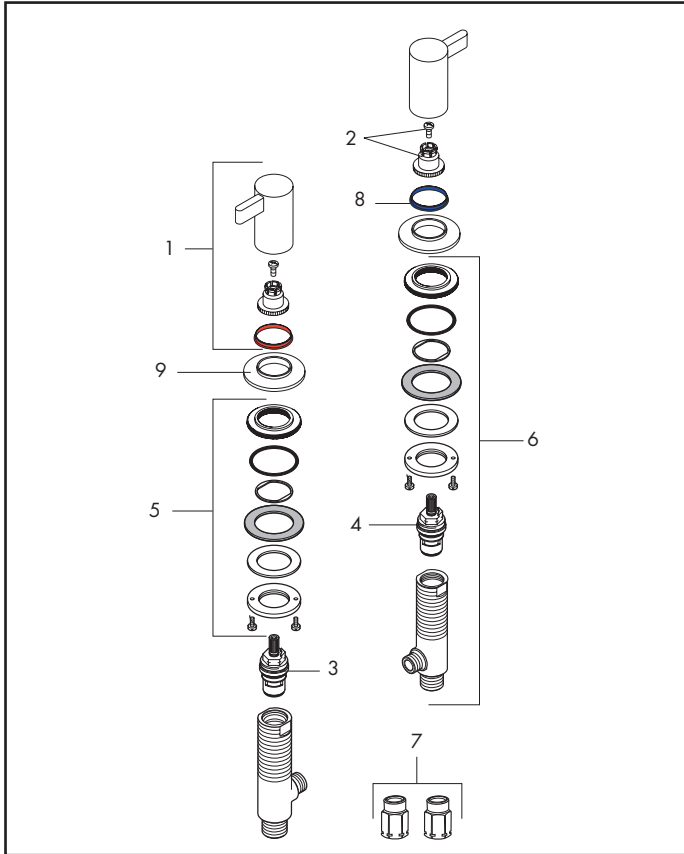
Axor® Steel

Deck valve set



02/04 - 01/08

35422xx1

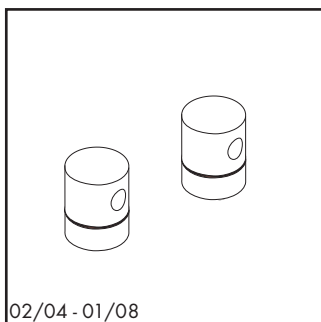


| Pos. | Description | Description | Denominación | No./Nr./N° | PG |
|------|----------------|---------------------------------|----------------------|------------|--------|
| 1 | handle | poignée | manija | 35293800 | 1 99 |
| 2 | snap connector | entraîneur + vis | anclaje para manija | 94184000 | 1 2 |
| 3 | hot cartridge | mécanisme arrêt chaud | montura caliente | 94009000 | 1 10 |
| 4 | cold cartridge | mécanisme arrêt froid | montura frío | 94008000 | 1 10 |
| 5 | mounting set | set de fixation | fijación | 88540000 | 1 8 |
| 6 | valve set | robinet d'arrêt | válvula completa | 88503000 | set 17 |
| 7 | nipple set | set de raccord | rácor | 98555000 | 1 99 |
| 8 | color ring set | bague couleur eau chaude/froide | anillo frío/caliente | 97127000 | set 99 |
| 9 | escutcheon | rosace | florón | 97128800 | 1 9 |
| | | | | | |
| | | | | | |
| | | | | | |
| | | | | | |
| | | | | | |
| | | | | | |
| | | | | | |
| | | | | | |
| | | | | | |
| | | | | | |
| | | | | | |

hansgrohe

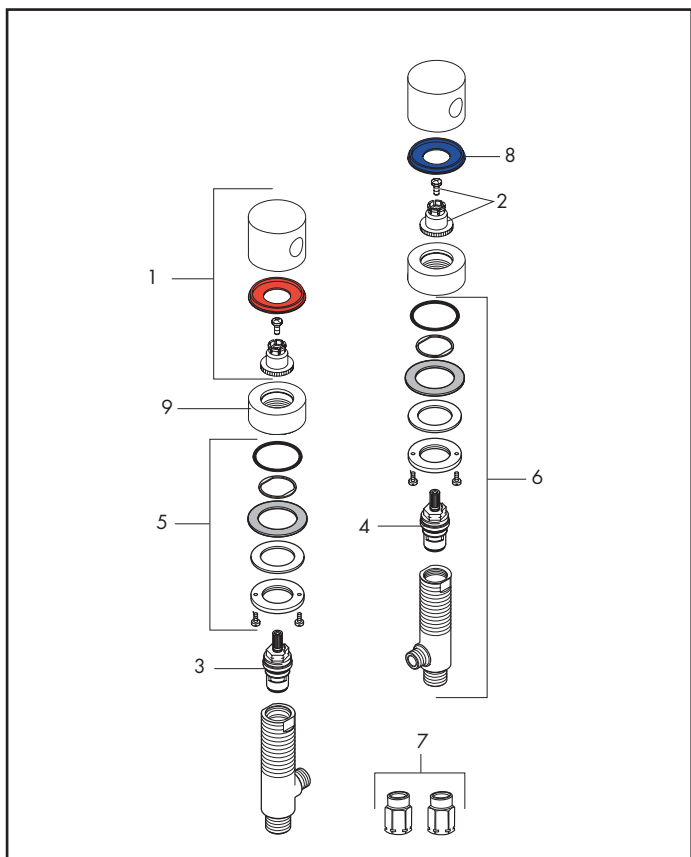
xx = Please see page 8.1 for finish codes / *PG is for Chrome only. See the index for other finishes.
 xx = Description des codes couleur page 8.1 / *PG concerne Chromé seulement. Pour les autres, voir dans la liste des références.
 xx = Para el código de acabados ver p. 8.1 / *La PG vale para Cromado solo. Ver el índice para las otras superficies.

Axor® Uno
Deck valve set



02/04 - 01/08

38422xx1

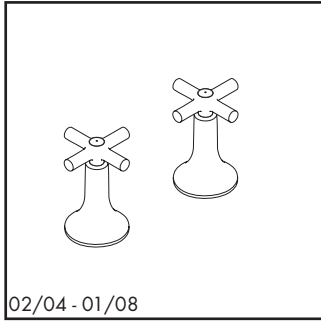


| Pos. | Description | Description | Denominación | No./Nr./N° | PG |
|------|----------------|---------------------------------|----------------------|------------|--------|
| 1 | handle | poignée | manija | 38092xx0 | 1 14* |
| 2 | snap connector | entraîneur + vis | anclaje para manija | 94184000 | 1 2 |
| 3 | hot cartridge | mécanisme arrêt chaud | montura caliente | 94009000 | 1 10 |
| 4 | cold cartridge | mécanisme arrêt froid | montura frío | 94008000 | 1 10 |
| 5 | mounting set | set de fixation | fijación | 88540000 | 1 8 |
| 6 | valve set | robinet d'arrêt | válvula completa | 88503000 | set 17 |
| 7 | nipple set | set de raccord | rácor | 98555000 | 1 99 |
| 8 | color ring set | bague couleur eau chaude/froide | anillo frío/caliente | 96422000 | set 3 |
| 9 | escutcheon | rosace | florón | 96462xx0 | 1 12 |
| | | | | | |
| | | | | | |
| | | | | | |
| | | | | | |
| | | | | | |
| | | | | | |
| | | | | | |
| | | | | | |
| | | | | | |
| | | | | | |
| | | | | | |
| | | | | | |
| | | | | | |
| | | | | | |
| | | | | | |
| | | | | | |
| | | | | | |
| | | | | | |
| | | | | | |
| | | | | | |
| | | | | | |
| | | | | | |

8.72 9/2010 xx = Please see page 8.1 for finish codes / *PG is for Chrome only. See the index for other finishes.
 xx = Description des codes couleur page 8.1 / *PG concerne Chromé seulement. Pour les autres, voir dans la liste des références.
 xx = Para el código de acabados ver p. 8.1 / *La PG vale para Cromado solo. Ver el índice para las otras superficies.

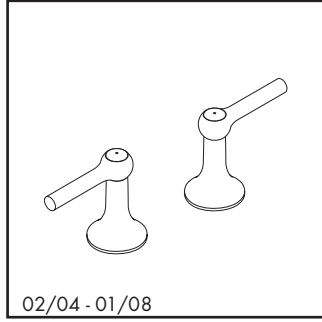
Axor® Terrano

Deck valve set



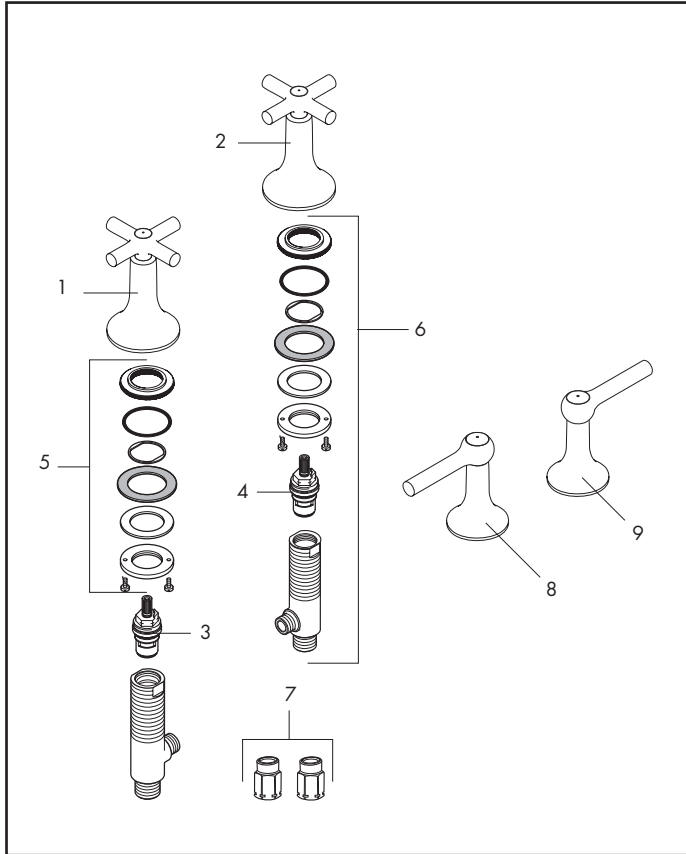
02/04 - 01/08

37426xx1



02/04 - 01/08

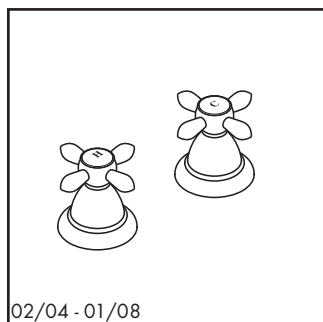
37427xx1



| Pos. | Description | Description | Denominación | No./Nr./N° | PG |
|------|--------------------|----------------------------|-------------------------------|------------|--------|
| 1 | cross handle, hot | poignée croisillon, chaude | manija en cruz, caliente | 37292xx0 | 1 15* |
| 2 | cross handle, cold | poignée croisillon, froide | manija en cruz, fría | 37291xx0 | 1 15* |
| 3 | hot cartridge | mécanisme arrêt chaud | montura caliente | 94009000 | 1 10 |
| 4 | cold cartridge | mécanisme arrêt froid | montura frío | 94008000 | 1 10 |
| 5 | mounting set | set de fixation | fijación | 88540000 | 1 8 |
| 6 | valve set | robinet d'arrêt | válvula completa | 88503000 | set 17 |
| 7 | nipple set | set de raccord | rácor | 98555000 | 1 99 |
| 8 | lever handle, hot | poignée levier, chaude | manija tipo palanca, caliente | 37295xx0 | 1 15* |
| 9 | lever handle, cold | poignée levier, froide | manija tipo palanca, fría | 37296xx0 | 1 15* |
| | | | | | |
| | | | | | |
| | | | | | |
| | | | | | |
| | | | | | |
| | | | | | |
| | | | | | |
| | | | | | |
| | | | | | |
| | | | | | |
| | | | | | |
| | | | | | |
| | | | | | |
| | | | | | |

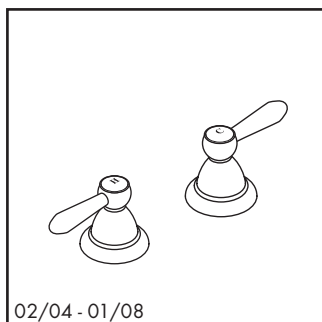
Axor® Carlton®

Deck valve set



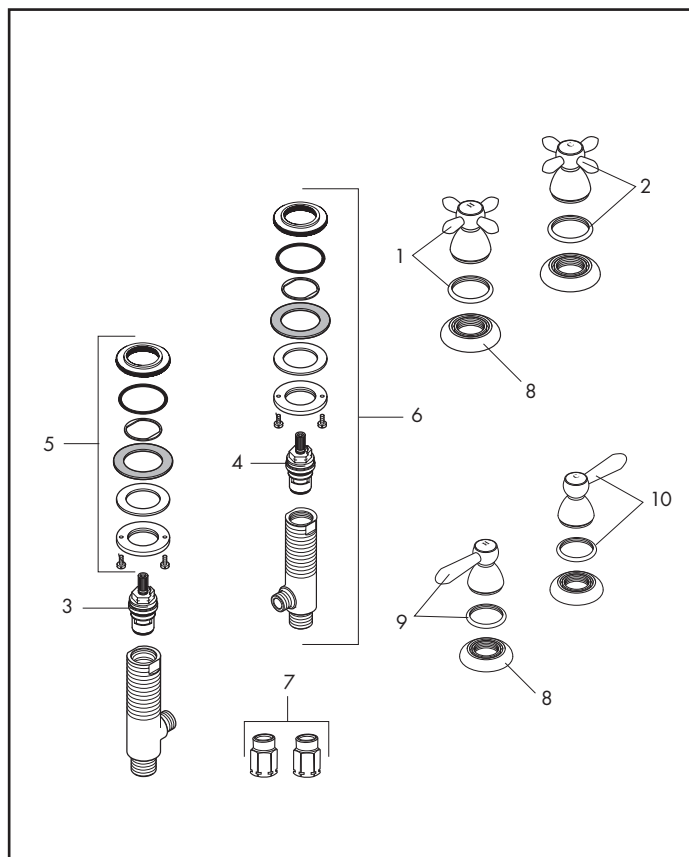
02/04 - 01/08

17426xx1



02/04 - 01/08

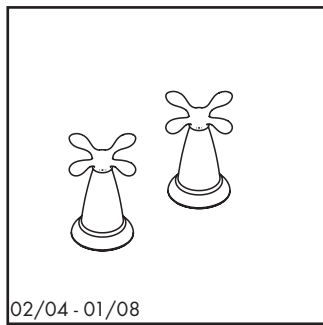
17427xx1



| Pos. | Description | Description | Denominación | No./Nr./N° | PG |
|------|----------------|-----------------------|----------------------|------------|--------|
| 1 | hot handle | poignée eau chaude | manija agua caliente | 17292xx0 | 1 14* |
| 2 | cold handle | poignée eau froide | manija agua fría | 17291xx0 | 1 14* |
| 3 | hot cartridge | mécanisme arrêt chaud | montura caliente | 94009000 | 1 10 |
| 4 | cold cartridge | mécanisme arrêt froid | montura frío | 94008000 | 1 10 |
| 5 | mounting set | set de fixation | fijación | 88540000 | 1 8 |
| 6 | valve set | robinet d'arrêt | válvula completa | 88503000 | set 17 |
| 7 | nipple set | set de raccord | rácor | 98555000 | 1 99 |
| 8 | escutcheon | rosace | florón | 94035xx0 | 1 6* |
| 9 | hot handle | poignée eau chaude | manija agua caliente | 17295xx0 | 1 99 |
| 10 | cold handle | poignée eau froide | manija agua fría | 17296xx0 | 1 99 |
| | | | | | |
| | | | | | |
| | | | | | |
| | | | | | |
| | | | | | |
| | | | | | |
| | | | | | |
| | | | | | |
| | | | | | |
| | | | | | |
| | | | | | |
| | | | | | |

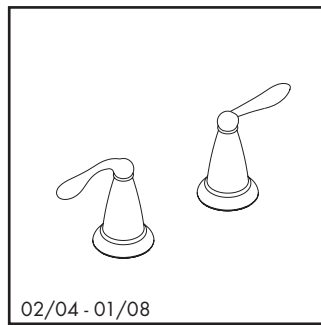
Axor® Phoenix

Deck valve set



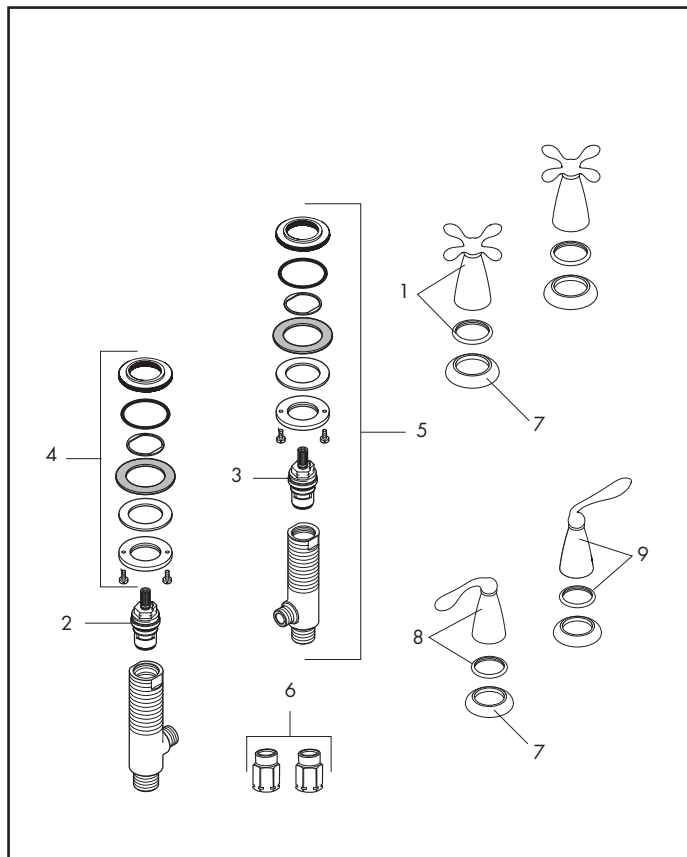
02/04 - 01/08

17526xx1



02/04 - 01/08

17527xx1



| Pos. | Description | Description | Denominación | No./Nr./N° | PG |
|------|--------------------|------------------------|-------------------------------|------------|--------|
| 1 | cross handle | poignée croisillon | manija en cruz | 96793xx1 | 1 99 |
| 2 | hot cartridge | mécanisme arrêt chaud | montura caliente | 94009000 | 1 10 |
| 3 | cold cartridge | mécanisme arrêt froid | montura frío | 94008000 | 1 10 |
| 4 | mounting set | set de fixation | fijación | 88540000 | 1 8 |
| 5 | valve set | robinet d'arrêt | válvula completa | 88503000 | set 17 |
| 6 | nipple set | set de raccord | rácor | 98555000 | 1 99 |
| 7 | escutcheon | rosace | florón | 94035xx0 | 1 6* |
| 8 | lever handle, hot | poignée levier, chaude | manija tipo palanca, caliente | 96628xx1 | 1 14* |
| 9 | lever handle, cold | poignée levier, froide | manija tipo palanca, fría | 96629xx1 | 1 14* |
| | | | | | |
| | | | | | |
| | | | | | |
| | | | | | |
| | | | | | |
| | | | | | |
| | | | | | |
| | | | | | |
| | | | | | |

